

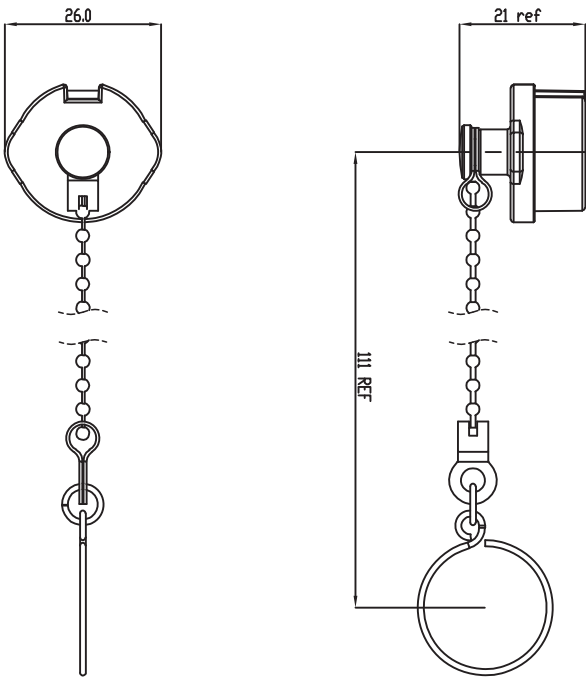
02 9924 CPMF0

Accessories Quicklock



Protecting cap for field-attachable connectors with locking latch, IP65, size 16

02 9924 CPMF0



Environmental conditions

Temperature range -40/+80 °C

Materials

Cap PBT¹
Seal Rubber
Chain metal

¹ outdoor sustainable (F1 according to UL 746C)

Mechanical data

Protection class IP65¹

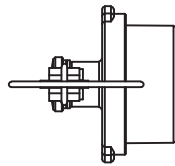
¹ in mated condition

Associated products

Accessories

☞ 2440 ... T09CB T

☞ 2450 ... T09CB T



02 9924 CPMF0

Designation	Pole Number	PU (Pieces)	MDQ (Pieces)
9924 CPMF0	-	10	120