

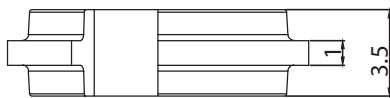
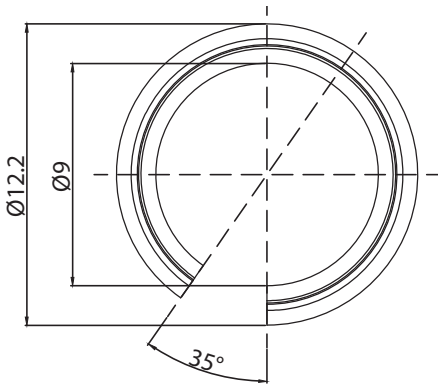
M12 9912 MRWH

Accessories M12



Marking ring for overmolded M12 connectors, white

**M12 9912 MRWH**



**Environmental conditions**

Temperature range -40/+100 °C

**Materials**

Color ring POM

**Associated products**

Accessories

- |   |   |   |
|---|---|---|
| <a href="#">☞ 1200 ... 0...</a>         | <a href="#">☞ 1200 ... 0...</a>         | <a href="#">☞ 1200 ... 0...</a>         |
| <a href="#">☞ 1200 ... 3...</a>         | <a href="#">☞ 1200 ... 3...</a>         | <a href="#">☞ 1200 ... 3...</a>         |
| <a href="#">☞ 1205 ... 0...</a>         | <a href="#">☞ 1205 ... 0...</a>         | <a href="#">☞ 1205 ... 0...</a>         |
| <a href="#">☞ 1205 ... 3...</a>         | <a href="#">☞ 1205 ... 3...</a>         | <a href="#">☞ 1205 ... 3...</a>         |
| <a href="#">☞ 1206 ... L1 0...</a>      | <a href="#">☞ 1206 ... L1 0...</a>      | <a href="#">☞ 1206 ... L1 0...</a>      |
| <a href="#">☞ 1206 ... L1 3...</a>      | <a href="#">☞ 1206 ... L1 3...</a>      | <a href="#">☞ 1206 ... L1 3...</a>      |
| <a href="#">☞ 1206 ... L2 0...</a>      | <a href="#">☞ 1206 ... L2 0...</a>      | <a href="#">☞ 1206 ... L2 0...</a>      |
| <a href="#">☞ 1206 ... L2 3...</a>      | <a href="#">☞ 1206 ... L2 3...</a>      | <a href="#">☞ 1206 ... L2 3...</a>      |
| <a href="#">☞ 1210 ... 0...</a>         | <a href="#">☞ 1210 ... 0...</a>         | <a href="#">☞ 1210 ... 3...</a>         |
| <a href="#">☞ 1210 ... 3...</a>         | <a href="#">☞ 1210 0800 ... 3...</a>    | <a href="#">☞ 1210 0800 ... 3...</a>    |
| <a href="#">☞ 1210 0806 ... L1 3...</a> | <a href="#">☞ 1210 0806 ... L1 3...</a> | <a href="#">☞ 1210 1200 ... 0...</a>    |
| <a href="#">☞ 1210 1200 ... 0...</a>    | <a href="#">☞ 1210 1200 ... 0...</a>    | <a href="#">☞ 1210 1200 ... 3...</a>    |
| <a href="#">☞ 1210 1200 ... 3...</a>    | <a href="#">☞ 1210 1200 ... 3...</a>    | <a href="#">☞ 1210 1205 ... 3...</a>    |
| <a href="#">☞ 1210 1205 ... 3...</a>    | <a href="#">☞ 1210 1205 ... 3...</a>    | <a href="#">☞ 1210 1206 ... L1 0...</a> |
| <a href="#">☞ 1210 1206 ... L1 0...</a> | <a href="#">☞ 1210 1206 ... L1 0...</a> | <a href="#">☞ 1210 1206 ... L1 3...</a> |
| <a href="#">☞ 1210 1206 ... L1 3...</a> | <a href="#">☞ 1210 1206 ... L1 3...</a> | <a href="#">☞ 1210 1206 ... L2 0...</a> |
| <a href="#">☞ 1210 1206 ... L2 0...</a> | <a href="#">☞ 1210 1206 ... L2 0...</a> | <a href="#">☞ 1210 1206 ... L2 3...</a> |
| <a href="#">☞ 1210 1206 ... L2 3...</a> | <a href="#">☞ 1210 1206 ... L2 3...</a> |   |

M12 9912 MRWH

Designation	Pole Number	PU (Pieces)	MDQ (Pieces)
9912 MRWH	-	20	100

**Packaging:**  
in a plastic bag