

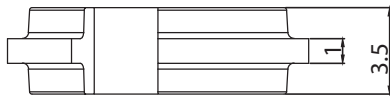
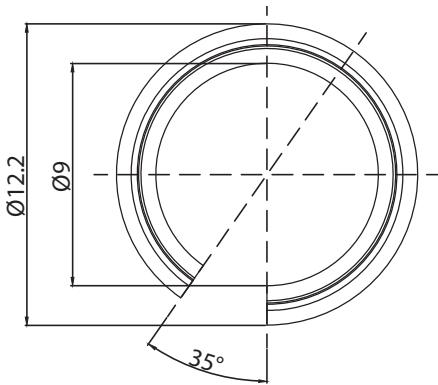
M12 9912 MRBU

Accessories M12



Marking ring for overmolded M12 connectors, blue

M12 9912 MRBU



Environmental conditions

Temperature range -40/+100 °C

Materials

Color ring POM

Associated products

Accessories

1200 ... 0...	1200 ... 0...	1200 ... 3...
1200 ... 3...	1205 ... 0...	1205 ... 0...
1205 ... 3...	1205 ... 3...	1206 ... L1 0...
1206 ... L1 0...	1206 ... L1 3...	1206 ... L1 3...
1206 ... L2 0...	1206 ... L2 0...	1206 ... L2 3...
1206 ... L2 3...	1210 ... 0...	1210 ... 3...
1210 0800 ... 3...	1210 0806 ... L1 3...	1210 1200 ... 0...
1210 1200 ... 0...	1210 1200 ... 3...	1210 1200 ... 3...
1210 1205 ... 3...	1210 1205 ... 3...	1210 1206 ... L1 0...
1210 1206 ... L1 0...	1210 1206 ... L1 3...	1210 1206 ... L1 3...
1210 1206 ... L2 0...	1210 1206 ... L2 0...	1210 1206 ... L2 3...
1210 1206 ... L2 3...		

M12 9912 MRBU

Designation	Pole Number	PU (Pieces)	MDQ (Pieces)
9912 MRBU	-	20	100

Packaging:
in a plastic bag