

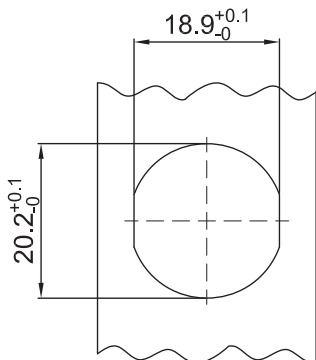
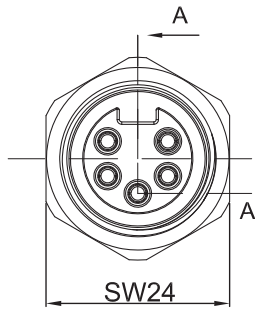
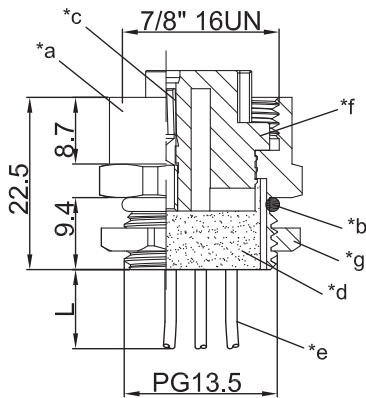
7/8" 7820 ... T13CW ...

Panel Mount Connectors 7/8"



7/8" panel mount connector, female, with threaded joint, A-coded, IP67, for front mounting, thread PG13.5, with nut and stranded wires

7/8" 7820 ... T13CW ...



Environmental conditions

Temperature range -25 °C/+80 °C

Materials

Insulating body	TPU
Contact bush	CuZn, pre-nickel and gold-plated
Housing	CuZn, nickel-plated
Hexagonal nut	CuZn, nickel-plated
Seal	FKM

Mechanical data

Mating cycles ≥ 100
Protection class IP67¹

¹ according to IEC DIN EN 60529, only in locked condition with an appropriate counterpart

Electrical data (at T_{amb} 20 °C)

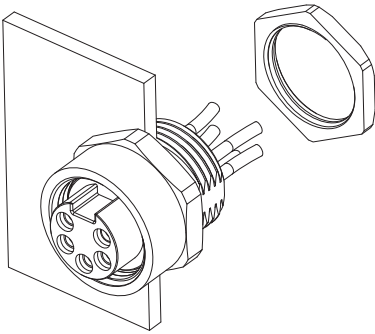
Contact resistance	$\leq 5 \text{ m}\Omega$
Rated current	12 A (3 poles) 9 A (4–5 poles) (T _{amb} 40 °C)
Rated voltage	250 V (with pollution degree 3) ¹
Rated impulse voltage	2000 V (3–4 poles) 1500 V (5 poles) ¹
Material group	I (IEC)/0 (UL) (CTI 600) ¹
Overvoltage category	II ²
Insulation resistance	> 100 M Ω

¹ acc. to IEC 60664/DIN EN 60664/CTI UL classification acc. to ANSI/UL 746A

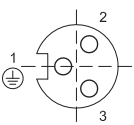
² acc. to IEC 60664/DIN EN 60664/CTI UL classification acc. to ANSI/UL 746A

7/8"

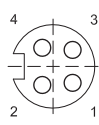
7820 ... T13CW ...



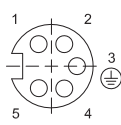
Pin assignment for female 7/8" connectors



- 3 pole**
1 green/yellow
2 brown
3 blue



- 4 pole**
1 brown
2 white
3 blue
4 black



- 5 pole**
1 black
2 blue
3 green/yellow
4 brown
5 white

- *a housing
- *b O-ring gasket
- *c contact bush
- *d potting
- *e stranded wire
- *f insulating body
- *g nut

7/8"

7820 ... T13CW ...

Designation	Pole Number	Connected Cable	PU (Pieces)	MDQ (Pieces)	Dimensions L (mm)
7820 03 T13CW 0,5m	3 (2 + PE)	PVC, brown/green-yellow/blue, 3 x 0.75 mm ² (AWG 18), UL-style 1007, 0.5 m	10	10	500
7820 04 T13CW 0,5m	4	PVC, brown/white/blue/black, 5 x 0.75 mm ² (AWG 18), UL-style 1007, 0.5 m	10	10	500
7820 05 T13CW 0,5m	5 (4 + PE)	PVC, black/blue/green-yellow/brown/white, 5 x 0.75 mm ² (AWG 18)/1 x 0.5 mm ² (AWG 20), UL-style 1007, 0.5 m	10	10	500

Packaging:
in a plastic bag