


71

7150 1

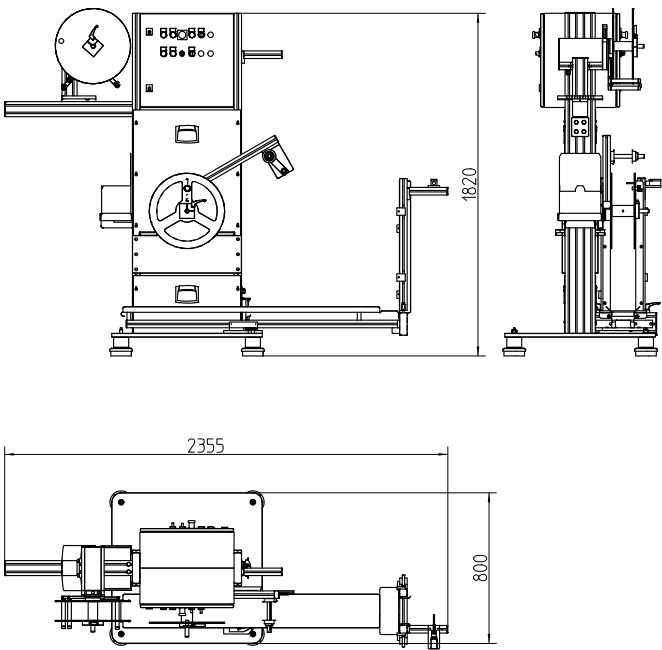
Feeding Systems for Coiled Goods



Reel decoiler

Approvals: 

71 7150 1



Features

- Application**
- Feeding of components on reel
 - To balance varying reel-off and drawoff speeds
 - Line buffer reduces or prevents down times when changing reels
- Options**
- Reel decoiler system, single layout
 - Reel-specific details according to requirements

Dimensions and supply data

Dimensions (H x W x D)	ca. 1820 mm x 2355 mm x 800 mm
Weight	ca. 350 kg
Electrical supply	230 V AC