


71

7130

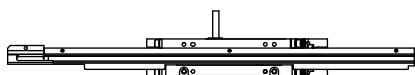
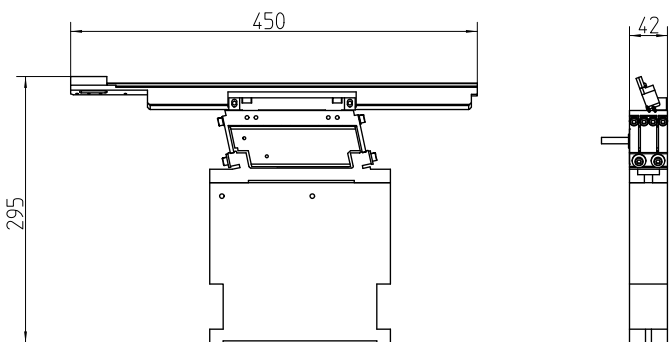
Feeding Systems for Bulk Components



Linear vibratory feeder

Approvals: 

71 7130



Features

Application

- Linear vibratory feeder based on vibration technology
- To span segments
- For small to medium outputs rates
- Customized set-up of linear unit to accommodate workpiece geometry and preferred performance parameters
- Output in correct positional arrangement

Dimensions and supply data

Dimensions (H x W x D)	ca. 295 mm x 450 mm x 42 mm
Electrical supply	230 V AC