

M12 5500 08L1 3...

## Passive Actuator/Sensor Distribution Boxes M12

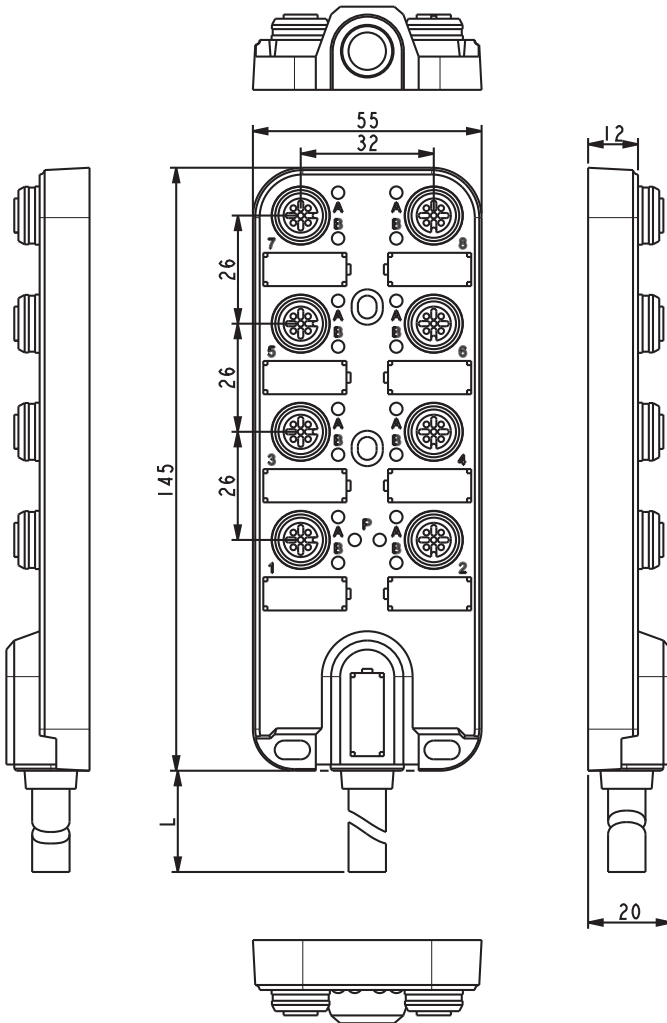


Passive distribution box M12, 8-port, single signal, with LEDs, IP67

**Main connection:**  
cable, PUR, grey

M12

5500 08L1 3...



#### Environmental conditions

Temperature range -40 °C/+80 °C

#### Materials

Insulating body	PA, V-2 according to UL94
Contact	CuZn, pre-nickel and gold-plated
Connector thread	CuZn, nickel-plated
Housing	PC/ABS
Resistance	Good resistance against chemicals and oils. Resistance against aggressive media to be individually verified for each application.

#### Mechanical data

Protection class IP67<sup>1</sup>

<sup>1</sup> according to DIN EN 60529, only in locked position with proper counterparts or protective caps

#### Electrical data (at T<sub>amb</sub> 20 °C)

Contact resistance	≤ 5 mΩ
Nominal current	≤ 2 A per port ≤ 8 A total
Nominal voltage	10–30 V DC (24 V DC)

#### Associated products

##### Counterparts

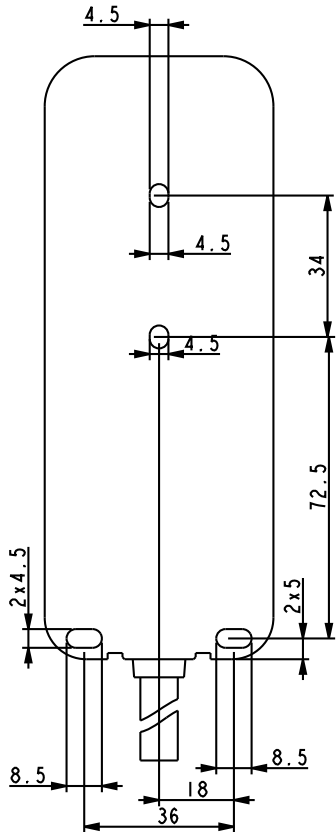
☞ 1210 ... 0...	☞ 1210 ... 3...	☞ 1210 0800 ... 3...
☞ 1210 0806 ... L1 3...	☞ 1210 1200 ... 0...	☞ 1210 1200 ... 3...
☞ 1210 1205 ... 3...	☞ 1210 1206 ... L1 0...	☞ 1210 1206 ... L1 3...
☞ 1210 1206 ... L2 0...	☞ 1210 1206 ... L2 3...	☞ 1250 ... T...CR
☞ 1255 ... T9CR		

##### Accessories

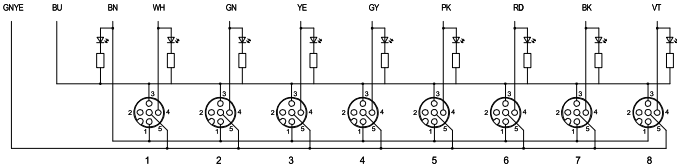
☞ 9912 CPFO ☞ 9955 LB PF24

M12

5500 08L1 3...



Wiring diagram

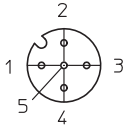


M12

5500 08L1 3...

---

Pin assignment of female M12 connectors



4 pole

- 1 +
- 2 not con.
- 3 -
- 4 S1
- 5 not con.

M12

5500 08L1 3...

Designation	Pole Number	Connected Cable	PU (Pieces)	MDQ (Pieces)	Dimensions L (mm)
5500 08L1 312 5m	8 x 4	PUR, grey, 8 x 0.34 mm <sup>2</sup> (AWG 22)/3 x 0.75 mm <sup>2</sup> (AWG 20), 910312, UL-style 20549	1	1	5000
5500 08L1 312 10m	8 x 4	PUR, grey, 8 x 0.34 mm <sup>2</sup> (AWG 22)/3 x 0.75 mm <sup>2</sup> (AWG 20), 910312, UL-style 20549	1	1	10000

**Packaging:**  
in a plastic bag