

M12 5500 04DL1 3...

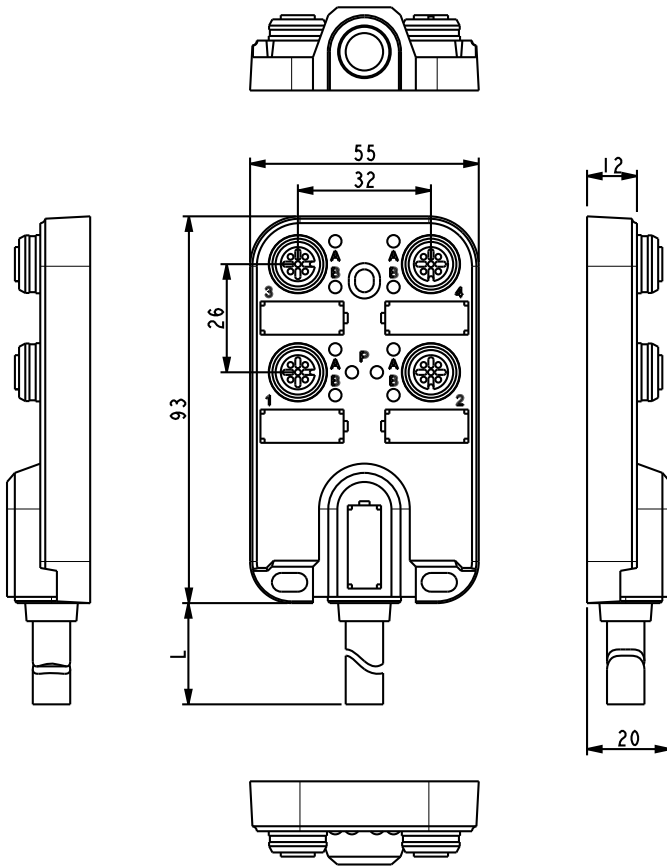
## Passive Actuator/Sensor Distribution Boxes M12



Passive distribution box M12, 4-port, double signal, with LEDs, IP67

**Main connection:**  
cable, PUR, grey

**M12 5500 04DL1 3...**



**Environmental conditions**

Temperature range -40 °C/+80 °C

**Materials**

Insulating body PA, V-2 according to UL94  
 Contact CuZn, pre-nickel and gold-plated  
 Connector thread CuZn, nickel-plated  
 Housing PC/ABS  
 Resistance Good resistance against chemicals and oils. Resistance against aggressive media to be individually verified for each application.

**Mechanical data**

Protection class IP67<sup>1</sup>

<sup>1</sup> according to DIN EN 60529, only in locked position with proper counterparts or protective caps

**Electrical data (at T<sub>amb</sub> 20 °C)**

Contact resistance ≤ 5 mΩ  
 Nominal current ≤ 2 A per port  
 ≤ 8 A total  
 Nominal voltage 10–30 V DC (24 V DC)

**Associated products**

Counterparts

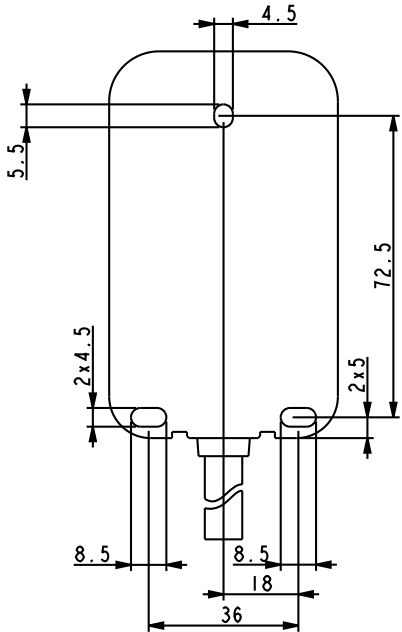
☞ 1210 ... 0...	☞ 1210 ... 3...	☞ 1210 0800 ... 3...
☞ 1210 0806 ... L1 3...	☞ 1210 1200 ... 0...	☞ 1210 1200 ... 3...
☞ 1210 1205 ... 3...	☞ 1210 1206 ... L1 0...	☞ 1210 1206 ... L1 3...
☞ 1210 1206 ... L2 0...	☞ 1210 1206 ... L2 3...	☞ 1250 ... T...CR
☞ 1255 ... T9CR		

Accessories

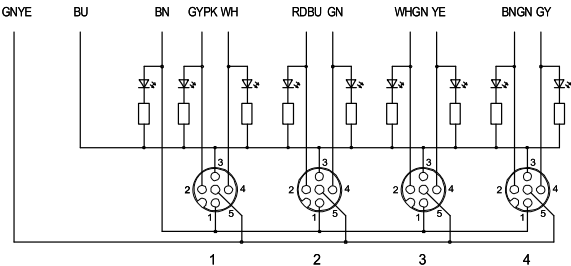
☞ 9912 CPFO ☞ 9955 LB PF24

M12

5500 04DL1 3...



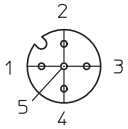
Wiring diagram



M12 5500 04DL1 3...

---

Pin assignment of female M12 connectors



- 5 pole
- 1 +
- 2 S2
- 3 -
- 4 S1
- 5 not con.

**M12**    **5500 04DL1 3...**

Designation	Pole Number	Connected Cable	PU (Pieces)	MDQ (Pieces)	Dimensions L (mm)
5500 04DL1 314 5m	4 x 5	PUR, grey, 8 x 0.34 mm <sup>2</sup> (AWG 22)/3 x 0.75 mm <sup>2</sup> (AWG 20), 910314, UL-style 20549	1	1	5000
5500 04DL1 314 10m	4 x 5	PUR, grey, 8 x 0.34 mm <sup>2</sup> (AWG 22)/3 x 0.75 mm <sup>2</sup> (AWG 20), 910314, UL-style 20549	1	1	10000

**Packaging:**  
in a plastic bag