

02


2650 ... T12CB T

Field-attachable connectors Quicklock



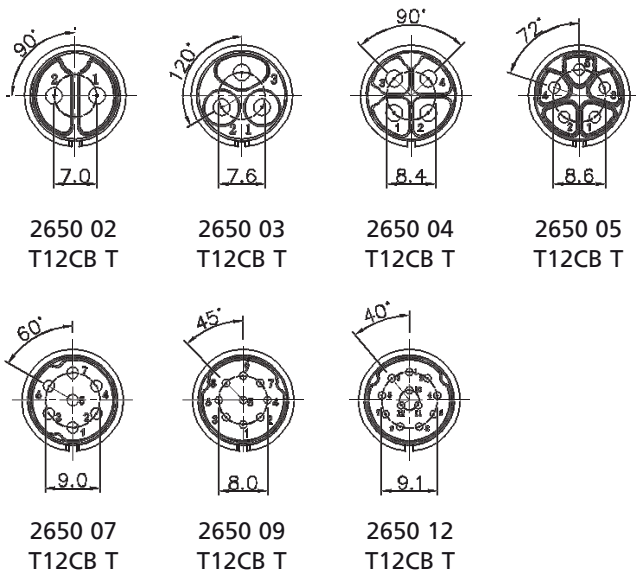
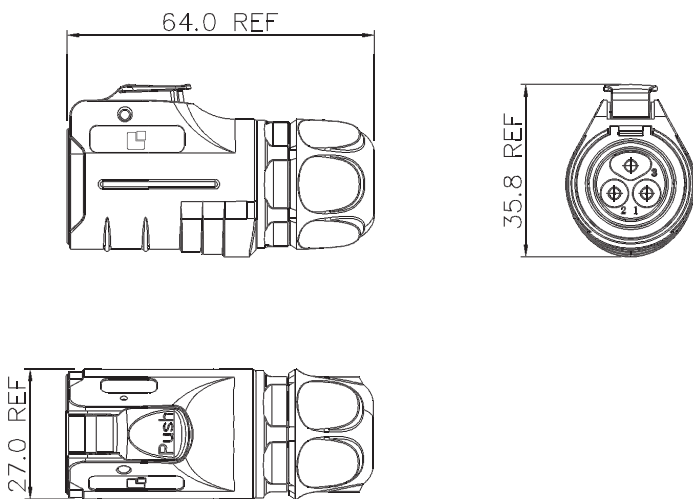
Quicklock plug with locking latch, IP67, size 20, straight version, with plastic housing and solder terminals

---

Approvals: 

---

02 2650 ... T12CB T



**Environmental conditions**

Temperature range -40 °C/+80 °C

**Materials**

Insulating body PBT, V-0 according to UL94  
 Contact pin CuZn, gold-plated  
 Housing PBT, V-0 according to UL94<sup>1</sup>  
 Locking Zn-alloy, chrome-plated  
 Cap nut PBT, V-0 according to UL94<sup>1</sup>

<sup>1</sup> outdoor sustainable (F1 according to UL 746C)

**Mechanical data**

Protection class IP67<sup>1</sup>

<sup>1</sup> only in locked condition with an appropriate counterpart

**Connectable conductors for solder area**

Section 2.5–4.0 mm<sup>2</sup>/AWG 14–12 (2–4 poles)  
 1.0–1.5 mm<sup>2</sup>/AWG 18–16 (5–7 poles)  
 0.34–0.75 mm<sup>2</sup>/AWG 22–20 (9–12 poles)  
 Cable diameter 7.0–13.0 mm

**Electrical data (at T<sub>amb</sub> 20 °C)**

Rated current 20 A (2–4 poles)  
 12 A (5–7 poles)  
 5 A (9–12 poles)  
 Rated voltage 500 V (2–7 poles)  
 400 V (9–12 poles)  
 Rated impulse voltage 2500 V AC (2–7 poles)  
 1500 V AC (9–12 poles)  
 Creepage distance ≥ 2 mm  
 Clearance ≥ 2 mm  
 Insulation resistance > 500 MΩ

**Associated products**

Counterparts  
 ↗ 2620 ... T22CB100    ↗ 2640 ... T12CB A

Accessories  
 ↗ 9926 CPMF0

02

2650 ... T12CB T

Designation	Pole Number	PU (Pieces)	MDQ (Pieces)
2650 02 T12CB T	2	10	40
2650 03 T12CB T	3	10	40
2650 04 T12CB T	4	10	40
2650 05 T12CB T	5	10	40
2650 07 T12CB T	7	10	40
2650 09 T12CB T	9	10	40
2650 12 T12CB T	12	10	40

**Packaging:**

in individual plastic bags, in a cardboard box