

02

2630 ... T22CB100

Panel Mount Connectors Quicklock

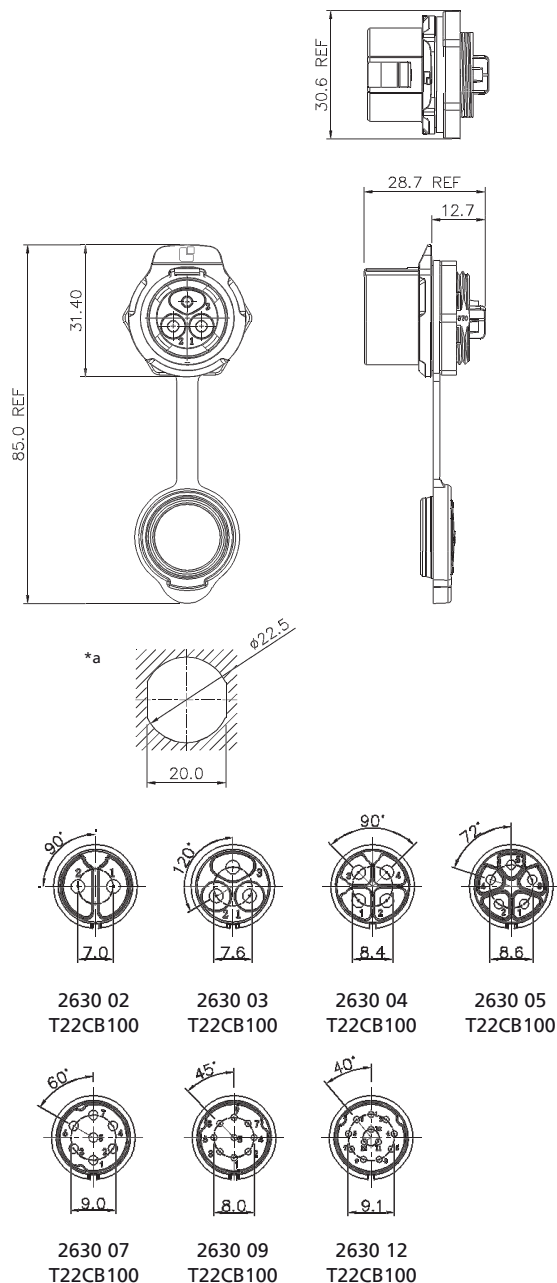


Quicklock chassis plug, IP67, size 20, straight version, with plastic housing, solder terminals and protecting cap (IP65)

Approvals:  

02

2630 ... T22CB100



*a port

Environmental conditions

Temperature range -40 °C/+80 °C

Materials

Insulating body PBT, V-0 according to UL94
 Contact pin CuZn, gold-plated
 Housing PBT, V-0 according to UL94¹
 Cap SI
 Hexagonal nut PBT, V-0 according to UL94

¹ outdoor sustainable (F1 according to UL 746C)

Mechanical data

Protection class IP67 (protecting cap IP65)¹

¹ only in locked condition with an appropriate counterpart

Connectable conductors for solder area

Section 2.5–4.0 mm²/AWG 14–12 (2–4 poles)
 1.0–1.5 mm²/AWG 18–16 (5–7 poles)
 0.34–0.75 mm²/AWG 22–20 (9–12 poles)

Electrical data (at T_{amb} 20 °C)

Rated current 20 A (2–4 poles)
 12 A (5–7 poles)
 5 A (9–12 poles)
 Rated voltage 500 V (2–7 poles)
 250 V (9–12 poles)
 Rated impulse voltage 2500 V AC (2–7 poles)
 1500 V AC (9–12 poles)
 Creepage distance ≥ 2 mm
 Clearance ≥ 2 mm
 Insulation resistance > 500 MΩ

Associated products

Counterparts
 ☞ 2640 ... T12CB T

02

2630 ... T22CB100

Designation	Pole Number	PU (Pieces)	MDQ (Pieces)
2630 02 T22CB100	2	10	40
2630 03 T22CB100	3	10	40
2630 04 T22CB100	4	10	40
2630 05 T22CB100	5	10	40
2630 07 T22CB100	7	10	40
2630 09 T22CB100	9	10	40
2630 12 T22CB100	12	10	40

Packaging:

in individual plastic bags, in a cardboard box