

02

2440 ... T09CB A

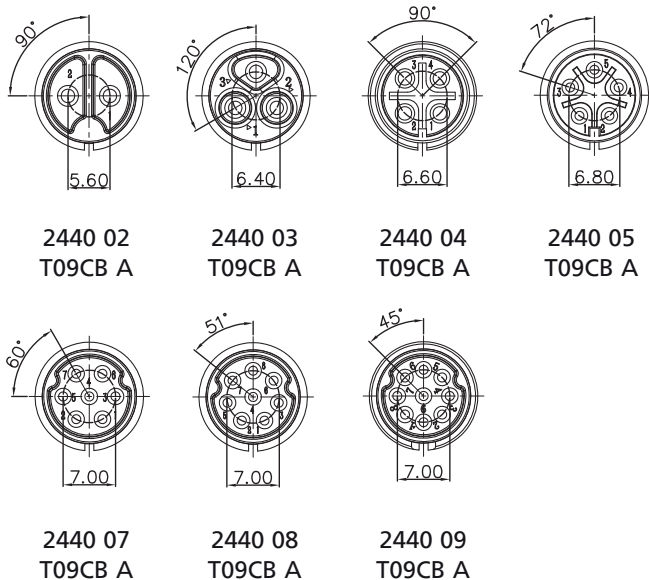
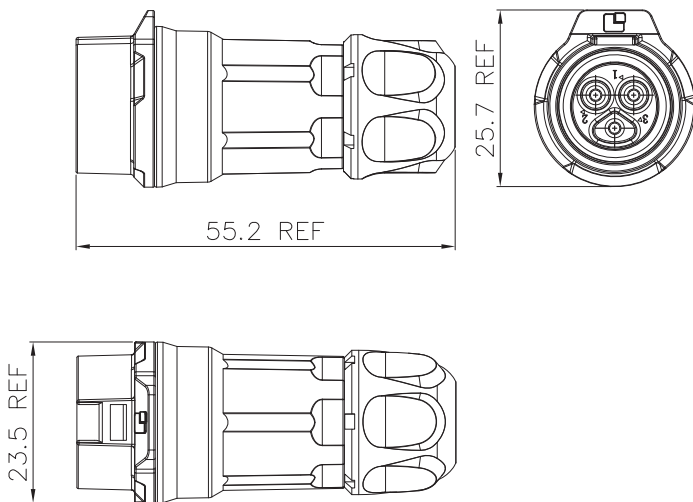
Field-attachable Connectors Quicklock



Quicklock socket, IP67, size 16, straight version, with plastic housing and solder terminals

Approvals:  

02 2440 ... T09CB A



Environmental conditions

Temperature range -40 °C/+80 °C

Materials

Insulating body PBT, V-0 according to UL94
 Contact bush CuSn, gold-plated
 Housing PBT, V-0 according to UL94¹
 Cap nut PBT, V-0 according to UL94¹

¹ outdoor sustainable (F1 according to UL 746C)

Mechanical data

Mating cycles 1700
 Insertion force ≤ 90 N
 Withdrawal force ≤ 40 N
 Protection class IP67¹

¹ only in locked condition with an appropriate counterpart

Connectable conductors for solder area

Section 0.8–1.3 mm²/AWG 18–16 (2–4 poles)
 0.34–0.5 mm²/AWG 22–20 (5–9 poles)
 Cable diameter 7.0–9.0 mm (state of delivery 2–4 poles)
 5.0–7.0 mm (state of delivery 5–9 poles)
 3.0–5.0 mm (with accessory 9924 SL5)
 5.0–7.0 mm (with accessory 9924 SL7)
 7.0–9.0 mm (with accessory 9924 SL9)

Electrical data (at T_{amb} 20 °C)

Contact resistance ≤ 2.5 mΩ (2–4 poles)
 ≤ 5.0 mΩ (5–9 poles)
 Rated current 10 A (2–4 poles)
 5 A (5–9 poles)
 Rated voltage 400 V (2–4 poles)
 250 V (5–9 poles)
 Rated impulse voltage 2500 V AC (2–4 poles)
 1500 V AC (5–9 poles)
 Creepage distance ≥ 2 mm
 Clearance ≥ 2 mm
 Insulation resistance > 500 MΩ
 Important note The connector must not be connected or disconnected under load.

02

2440 ... T09CB A

Associated products

Counterparts

[↗ 2450 ... T09CB T](#)

Accessories

[↗ 9924 SL5](#)

[↗ 9924 SL7](#)

[↗ 9924 SL9](#)

02

2440 ... T09CB A

Designation	Pole Number	PU (Pieces)	MDQ (Pieces)
2440 02 T09CB A	2	10	50
2440 03 T09CB A	3	10	50
2440 04 T09CB A	4	10	50
2440 05 T09CB A	5	10	50
2440 07 T09CB A	7	10	50
2440 08 T09CB A	8	10	50
2440 09 T09CB A	9	10	50

Packaging:

in individual plastic bags, in a cardboard box