

02

2420 ... T18CB100

Panel Mount Connectors Quicklock

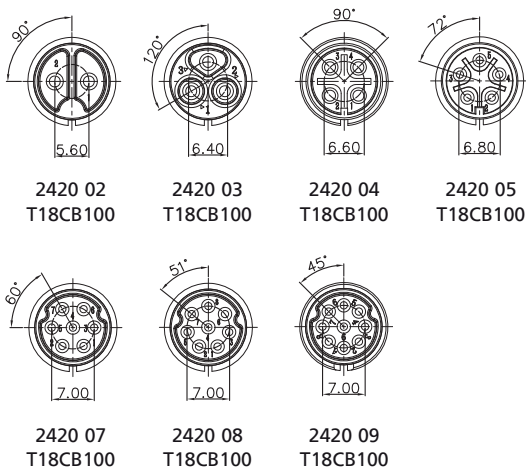
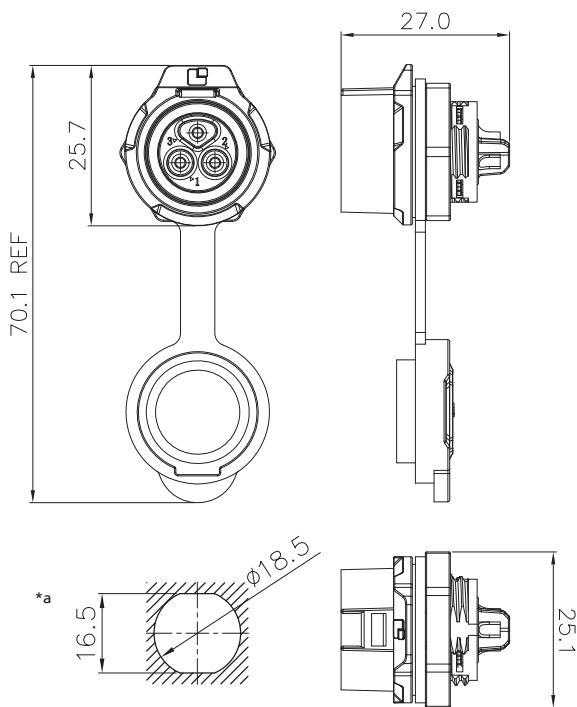


Quicklock chassis socket, IP67, size 16, straight version,
with plastic housing, solder terminals and protecting cap
(IP65)

Approvals:  

02

2420 ... T18CB100



*a port maximum wall thickness 4.5 mm

Environmental conditions

Temperature range -40 °C/+80 °C

Materials

Insulating body PBT, V-0 according to UL94
 Contact bush CuSn, gold-plated
 Housing PBT, V-0 according to UL94¹
 Cap SI
 Hexagonal nut PBT, V-0 according to UL94

¹ outdoor sustainable (F1 according to UL 746C)

Mechanical data

Mating cycles 1700
 Insertion force ≤ 90 N
 Withdrawal force ≤ 40 N
 Protection class IP67 (protecting cap IP65)¹

¹ only in locked condition with an appropriate counterpart

Connectable conductors for solder area

Section 0.8–1.3 mm²/AWG 18–16 (2–4 poles)
 0.34–0.5 mm²/AWG 22–20 (5–9 poles)

Electrical data (at T_{amb} 20 °C)

Contact resistance ≤ 2.5 mΩ (2–4 poles)
 ≤ 5.0 mΩ (5–9 poles)
 Rated current 10 A (2–4 poles)
 5 A (5–9 poles)
 Rated voltage 400 V (2–4 poles)
 250 V (5–9 poles)
 Rated impulse voltage 2500 V AC (2–4 poles)
 1500 V AC (5–9 poles)

Creepage distance ≥ 2 mm
 Clearance ≥ 2 mm
 Insulation resistance > 500 MΩ

Important note The connector must not be connected or disconnected under load.

02

2420 ... T18CB100

Associated products

Counterparts

[↗ 2450 ... T09CB T](#)

02

2420 ... T18CB100

Designation	Pole Number	PU (Pieces)	MDQ (Pieces)
2420 02 T18CB100	2	10	50
2420 03 T18CB100	3	10	50
2420 04 T18CB100	4	10	50
2420 05 T18CB100	5	10	50
2420 07 T18CB100	7	10	50
2420 08 T18CB100	8	10	50
2420 09 T18CB100	9	10	50

Packaging:

in individual plastic bags, in a cardboard box