

02

2350 ... T06CB T

Field-attachable connectors Quicklock



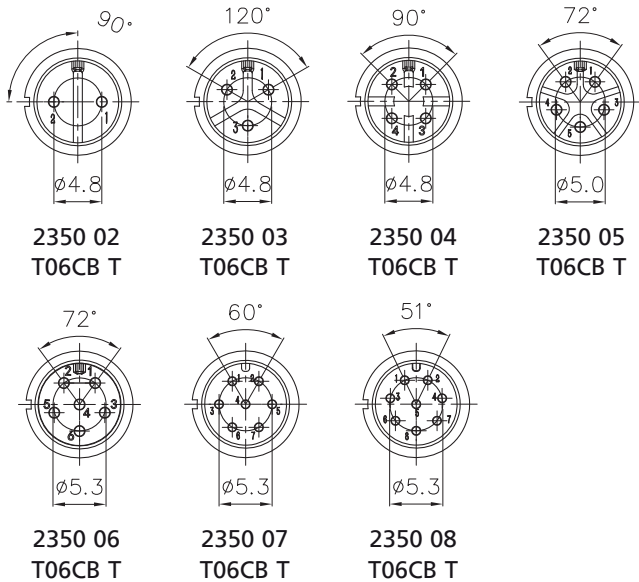
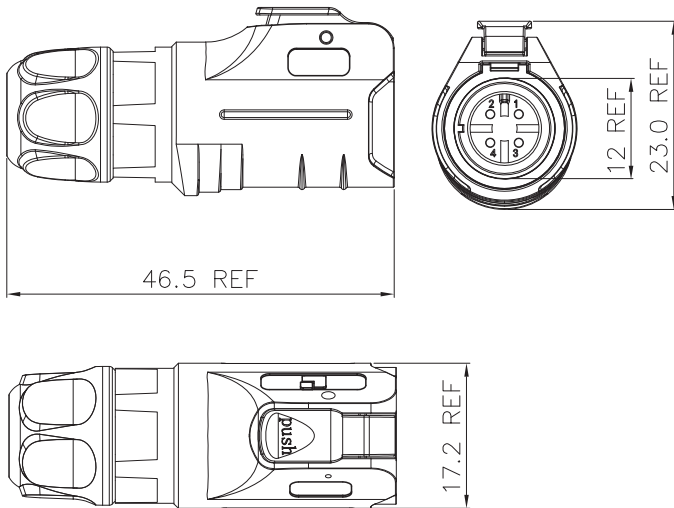
Quicklock plug with locking latch, IP67, size 12, straight version, with plastic housing and solder terminals

---

Approvals:



**02 2350 ... T06CB T**



**Environmental conditions**

Temperature range -40 °C/+80 °C

**Materials**

Insulating body PBT, V-0 according to UL94  
 Contact pin CuZn, gold-plated  
 Housing PBT, V-0 according to UL94<sup>1</sup>  
 Locking Zn-alloy, chrome-plated  
 Cap nut PBT, V-0 according to UL94<sup>1</sup>

<sup>1</sup> outdoor sustainable (F1 according to UL 746C)

**Mechanical data**

Protection class IP67<sup>1</sup>

<sup>1</sup> only in locked condition with an appropriate counterpart

**Connectable conductors for solder area**

Section 0.34–0.75 mm<sup>2</sup>/AWG 22–20 (2–6 poles)  
 0.25–0.34 mm<sup>2</sup>/AWG 24–22 (7–8 poles)  
 Cable diameter 3.0–6.0 mm

**Electrical data (at T<sub>amb</sub> 20 °C)**

Rated current 5 A (2–6 poles)  
 3 A (7–8 poles)  
 Rated voltage 125 V (2–6 poles)  
 100 V (7–8 poles)  
 Rated impulse voltage 1500 V AC (2–6 poles)  
 1000 V AC (7–8 poles)  
 Creepage distance ≥ 1,5 mm  
 Clearance ≥ 0,5 mm  
 Insulation resistance > 500 MΩ

**Associated products**

Counterparts  
 ↗ 2320 ... T12CB100    ↗ 2340 ... T06CB A

Accessories  
 ↗ 9923 CPMF0

02

2350 ... T06CB T

Designation	Pole Number	PU (Pieces)	MDQ (Pieces)
2350 02 T06CB T	2	15	60
2350 03 T06CB T	3	15	60
2350 04 T06CB T	4	15	60
2350 05 T06CB T	5	15	60
2350 06 T06CB T	6	15	60
2350 07 T06CB T	7	15	60
2350 08 T06CB T	8	15	60

**Packaging:**

in individual plastic bags, in a cardboard box