

02

2340 ... T06CB A

Field-attachable Connectors Quicklock



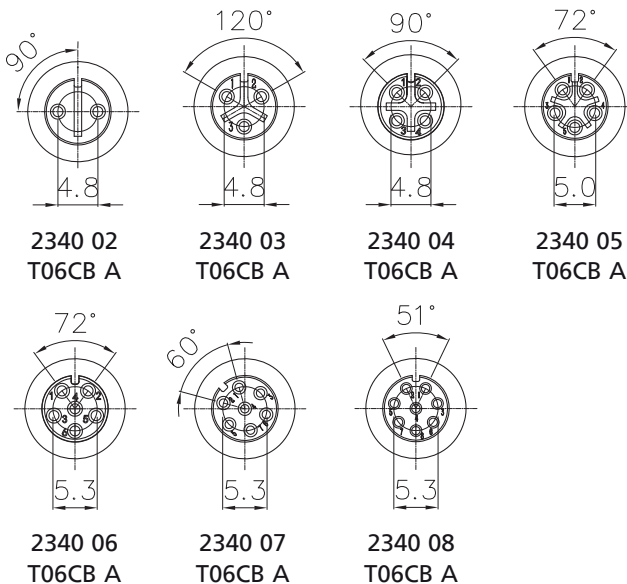
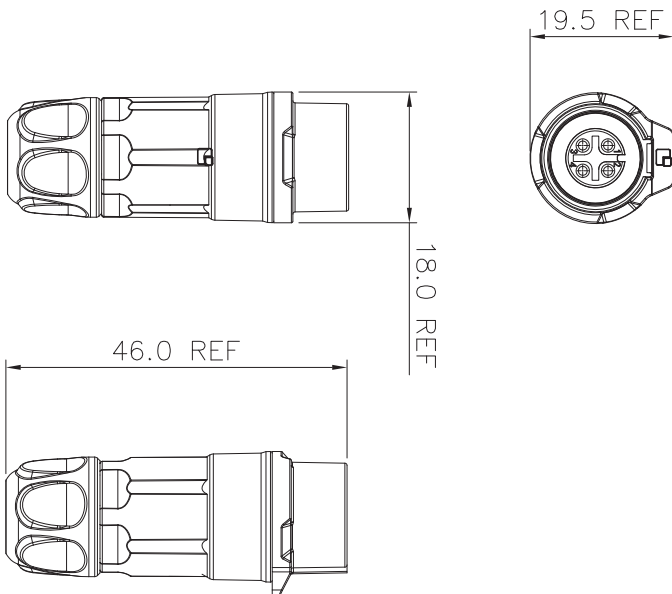
Quicklock socket, IP67, size 12, straight version, with plastic housing and solder terminals

Approvals:



02

2340 ... T06CB A



Environmental conditions

Temperature range -40 °C/+80 °C

Materials

Insulating body PBT, V-0 according to UL94
 Contact bush CuSn, gold-plated
 Housing PBT, V-0 according to UL94¹
 Cap nut PBT, V-0 according to UL94¹

¹ outdoor sustainable (F1 according to UL 746C)

Mechanical data

Mating cycles 1700
 Insertion force ≤ 80 N
 Withdrawal force ≤ 50 N
 Protection class IP67¹

¹ only in locked condition with an appropriate counterpart

Connectable conductors for solder area

Section 0.34–0.75 mm²/AWG 22–20 (2–6 poles)
 0.25–0.34 mm²/AWG 24–22 (7–8 poles)
 Cable diameter 4.0–5.5 mm (state of delivery)
 3.0–4.5 mm (with accessory 9923 SL4,5)
 5.0–6.0 mm (with accessory 9923 SL6)

Electrical data (at T_{amb} 20 °C)

Contact resistance ≤ 5 mΩ (2–6 poles)
 ≤ 10 mΩ (7–8 poles)
 Rated current 5 A (2–6 poles)
 3 A (7–8 poles)
 Rated voltage 125 V AC/DC (2–6 poles)
 100 V AC/DC (7–8 poles)
 Rated impulse voltage 1500 V AC (2–6 poles)
 1000 V AC (7–8 poles)
 Creepage distance ≥ 1,5 mm
 Clearance ≥ 0,5 mm
 Insulation resistance > 500 MΩ
 Important note The connector must not be connected or disconnected under load.

02

2340 ... T06CB A

Associated products

Counterparts

[↗ 2350 ... T06CB T](#)

Accessories

[↗ 9923 SL4,5](#)

[↗ 9923 SL6](#)

02

2340 ... T06CB A

Designation	Pole Number	PU (Pieces)	MDQ (Pieces)
2340 02 T06CB A	2	15	60
2340 03 T06CB A	3	15	60
2340 04 T06CB A	4	15	60
2340 05 T06CB A	5	15	60
2340 06 T06CB A	6	15	60
2340 07 T06CB A	7	15	60
2340 08 T06CB A	8	15	60

Packaging:

in individual plastic bags, in a cardboard box