

M12

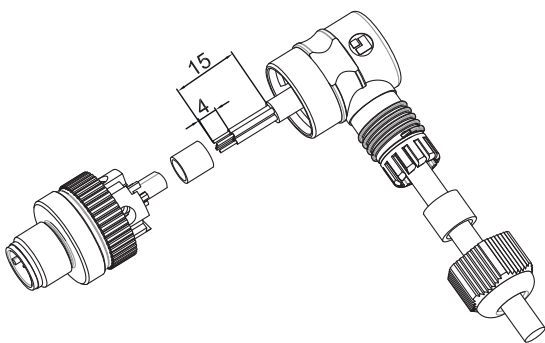
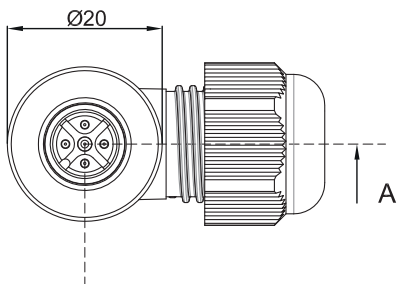
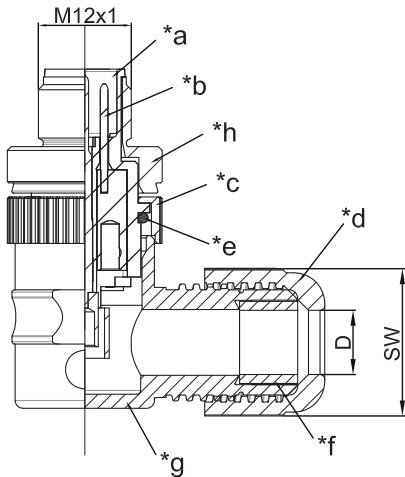
1255 ... T...CR

Field-attachable Connectors M12



M12 connector, male, field-attachable, with screw clamps,
angled, A-coded, IP67

M12 1255 ... T...CR



Environmental conditions

Temperature range -25 °C/+90 °C

Materials

| | |
|-----------------|----------------------------------|
| Insulating body | PA GF, V-0 according to UL94 |
| Contact pin | CuZn, pre-nickel and gold-plated |
| Housing | PBT, V-0 according to UL94 |
| Knurled screw | CuZn, nickel-plated |
| Cap nut | PA, V-2 according to UL94 |
| O-ring gasket | FKM |
| Hose gasket | CR/NBR |

Mechanical data

| | |
|------------------|---------------------|
| Insertion force | ≤ 10 N ¹ |
| Withdrawal force | ≤ 15 N ¹ |
| Protection class | IP67 ² |

¹ measured with a proper counterpart

² according to IEC DIN EN 60529, only in locked condition with an appropriate counterpart

Connectable conductors for screw clamp

| | |
|----------------|--|
| Section | ≤ 0.75 mm ² /≅ AWG 20 |
| Cable diameter | 3.0–6.5 mm (1255 ... T7) 4.0–8.0 mm (1255 ... T9) |

Electrical data (at T_{amb} 20 °C)

| | |
|-----------------------|---|
| Contact resistance | ≤ 5 mΩ ¹ |
| Rated current | 4 A (T _{amb} 40 °C) |
| Rated voltage | 125 V AC/150 V AC/DC (3–4 poles) 30 V AC/36 V DC (5 poles) (with pollution degree 3) ² |
| Rated impulse voltage | 2500 V (3–4 poles) 1500 V (5 poles) ² |
| Withstand voltage | 1400 V (3–4 poles) 1250 V (5 poles) |
| Material group | II (IEC)/I (UL) (400 ≤ CTI < 600) ² |
| Insulation resistance | > 1 GΩ |

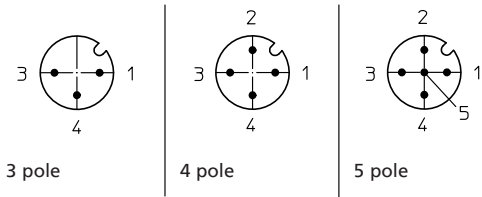
¹ measured with a proper counterpart

² according to IEC 60664/DIN EN 60664, CTI UL classification according to ANSI/UL 746A

M12

1255 ... T...CR

Pin assignment for male M12 connectors, A-coded, front view



- *a insulating body
- *b contact pin
- *c nut
- *d cap nut
- *e O-ring gasket
- *f hose gasket
- *g housing
- *h knurled screw

Associated products

Counterparts

| | | |
|---|---|---|
| ☞ 1200 ... 0... | ☞ 1200 ... 3... | ☞ 1205 ... 0... |
| ☞ 1205 ... 3... | ☞ 1206 ... L1 0... | ☞ 1206 ... L1 3... |
| ☞ 1206 ... L2 0... | ☞ 1206 ... L2 3... | ☞ 1210 1200 ... 0... |
| ☞ 1210 1200 ... 3... | ☞ 1210 1205 ... 3... | ☞ 1210 1206 ... L1 0... |
| ☞ 1210 1206 ... L1 3... | ☞ 1210 1206 ... L2 0... | ☞ 1210 1206 ... L2 3... |
| ☞ 1220 ... T16CW ... | ☞ 1220 ... T20CW100 ... | ☞ 1220 ... T20CW101 ... |
| ☞ 1220 ... T20CW102 ... | ☞ 1220 ... T20CW103 ... | ☞ 1220 ... T20CW104 ... |
| ☞ 1220 ... T20CW105 ... | ☞ 1221 ... T16CW100 ... | ☞ 1221 ... T9CP |
| ☞ 1240 ... T...CR | ☞ 1245 ... T...CR | ☞ 5500 04DL1 3... |
| ☞ 5500 04L1 3... | ☞ 5500 08DL1 3... | ☞ 5500 08L1 3... |
| ☞ 5512 02 FMF | ☞ 5512 02 MFF | ☞ 5512 04DL1 |
| ☞ 5512 04L1 | ☞ 5512 08L1 | |

Accessories

[☞ 9912 CPM0](#)

M12

1255 ... T...CR

| Designation | Pole Number | PU (Pieces) | MDQ (Pieces) | Dimensions | | |
|--------------|-------------|-------------|--------------|------------|-------------|---------|
| | | | | A (mm) | D (mm) | SW (mm) |
| 1255 03 T7CR | 3 | 5 | 10 | - | 7 (3.0-6.5) | 15 |
| 1255 04 T7CR | 4 | 5 | 10 | - | 7 (3.0-6.5) | 15 |
| 1255 04 T9CR | 4 | 5 | 10 | - | 9 (4.0-8.0) | 19 |
| 1255 05 T7CR | 5 | 5 | 10 | - | 7 (3.0-6.5) | 15 |
| 1255 05 T9CR | 5 | 5 | 10 | - | 9 (4.0-8.0) | 19 |

Packaging:
in a plastic bag