

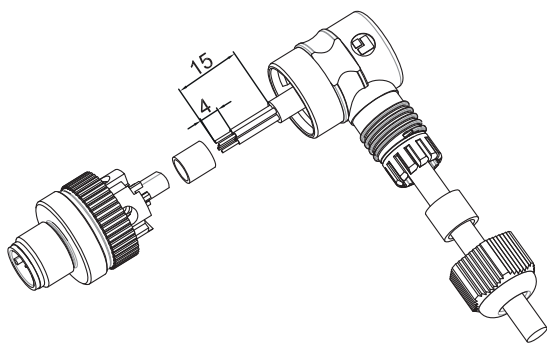
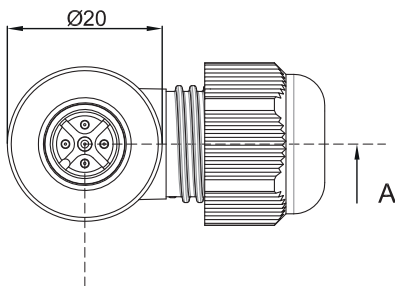
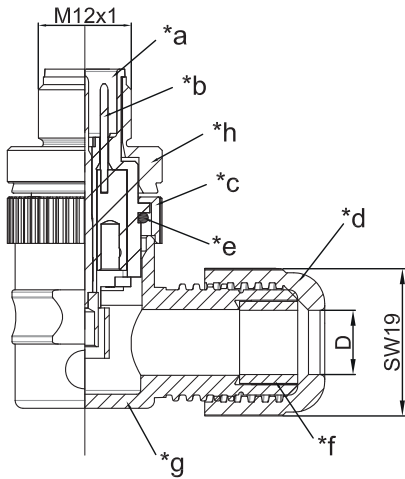
M12 1255 ... T9CR

Field-attachable Connectors M12



M12 connector, male, field-attachable, with screw clamps,
angled, A-coded, IP67

M12 1255 ... T9CR



Environmental conditions

Temperature range -25 °C/+90 °C

Materials

Insulating body	PA GF, V-0 according to UL94
Contact pin	CuZn, pre-nickel and gold-plated
Housing	PBT, V-0 according to UL94
Knurled screw	CuZn, nickel-plated
Cap nut	PA, V-2 according to UL94
O-ring gasket	FKM
Hose gasket	CR/NBR

Mechanical data

Insertion force	≤ 10 N ¹
Withdrawal force	≤ 15 N ¹
Protection class	IP67 ²

¹ measured with a proper counterpart

² according to IEC DIN EN 60529, only in locked condition with an appropriate counterpart

Connectable conductors for screw clamp

Section	≤ 0.75 mm ² /≅ AWG 20
Cable diameter	4.0–8.0 mm

Electrical data (at T_{amb} 20 °C)

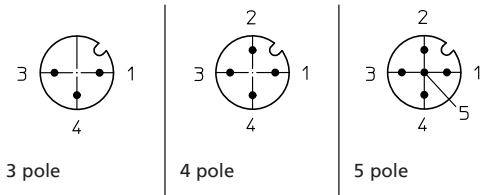
Contact resistance	≤ 5 mΩ ¹
Rated current	4 A (T _{amb} 40 °C)
Rated voltage	125 V AC/150 V AC/DC (3–4 poles) 30 V AC/36 V DC (5 poles) (with pollution degree 3) ²
Rated impulse voltage	2500 V (3–4 poles) 1500 V (5 poles) ²
Withstand voltage	1400 V (3–4 poles) 1250 V (5 poles)
Material group	II (IEC)/I (UL) (400 ≤ CTI < 600) ²
Insulation resistance	> 1 GΩ

¹ measured with a proper counterpart

² according to IEC 60664/DIN EN 60664, CTI UL classification according to ANSI/UL 746A

M12 1255 ... T9CR

Pin assignment for male M12 connectors, A-coded, front view



- *a insulating body
- *b contact pin
- *c nut
- *d cap nut
- *e O-ring gasket
- *f hose gasket
- *g housing
- *h knurled screw

Associated products

Counterparts

☞ 1200 ... 0...	☞ 1200 ... 3...	☞ 1205 ... 0...
☞ 1205 ... 3...	☞ 1206 ... L1 0...	☞ 1206 ... L1 3...
☞ 1206 ... L2 0...	☞ 1206 ... L2 3...	☞ 1210 1200 ... 0...
☞ 1210 1200 ... 3...	☞ 1210 1205 ... 3...	☞ 1210 1206 ... L1 0...
☞ 1210 1206 ... L1 3...	☞ 1210 1206 ... L2 0...	☞ 1210 1206 ... L2 3...
☞ 1220 ... T16CW ...	☞ 1220 ... T20CW100 ...	☞ 1220 ... T20CW101 ...
☞ 1220 ... T20CW102 ...	☞ 1220 ... T20CW103 ...	☞ 1220 ... T20CW104 ...
☞ 1220 ... T20CW105 ...	☞ 1221 ... T16CW100 ...	☞ 1221 ... T9CP
☞ 1240 ... T...CR	☞ 1245 ... T9CR	☞ 5500 04DL1 3...
☞ 5500 04L1 3...	☞ 5500 08DL1 3...	☞ 5500 08L1 3...
☞ 5512 04DL1	☞ 5512 04L1	☞ 5512 08L1

Accessories

[☞ 9912 CPM0](#)

M12

1255 ... T9CR

Designation	Pole Number	PU (Pieces)	MDQ (Pieces)	Dimensions		
				A (mm)	D (mm)	SW (mm)
1255 04 T9CR	4	5	10	62	9 (4.0-8.0)	19
1255 05 T9CR	5	5	10	62	9 (4.0-8.0)	19

Packaging:
in a plastic bag