

M12

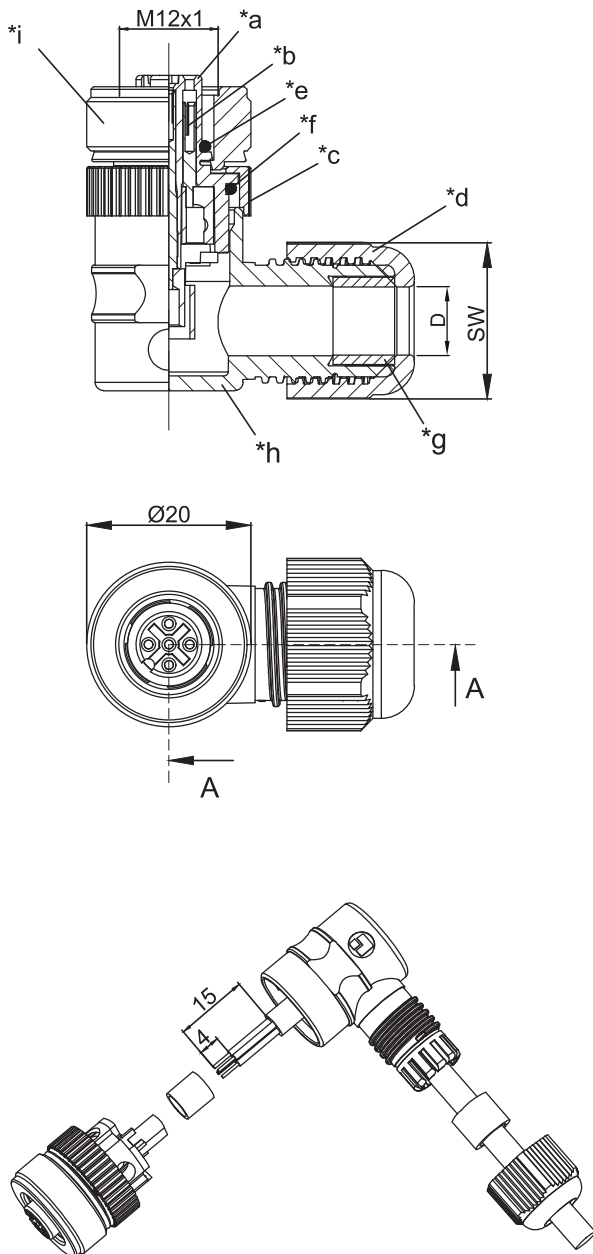
1245 ... T...CR

Field-attachable Connectors M12



M12 connector, female, field-attachable, with screw clamps, angled version, A-coded, IP67

M12 1245 ... T...CR



Environmental conditions

Temperature range -25 °C/+90 °C

Materials

Insulating body	PA GF, V-0 according to UL94
Contact bush	CuZn, pre-nickel and gold-plated
Housing	PBT, V-0 according to UL94
Knurled nut	CuZn, nickel-plated
Cap nut	PA GF, V-0 according to UL94
O-ring gasket	FKM
Hose gasket	CR/NBR

Mechanical data

Insertion force	≤ 10 N ¹
Withdrawal force	≤ 15 N ¹
Protection class	IP67 ²

¹ measured with a proper counterpart

² according to IEC DIN EN 60529, only in locked condition with an appropriate counterpart

Connectable conductors for screw clamp

Section	≤ 0.75 mm ² /≤ AWG 20
Cable diameter	3.0–6.5 mm (1245 ... T7) 4.0–8.0 mm (1245 ... T9)

Electrical data (at T_{amb} 20 °C)

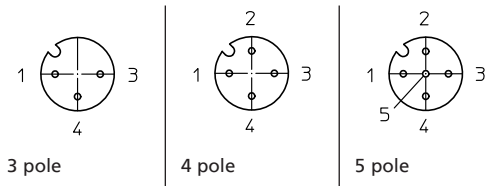
Contact resistance	≤ 5 mΩ
Rated current	4 A (T _{amb} 40 °C)
Rated voltage	125 V AC/150 V AC/DC (3–4 poles) 30 V AC/36 V DC (5 poles) (with pollution degree 3) ¹
Rated impulse voltage	2500 V (3–4 poles) 1500 V (5 poles) ¹
Withstand voltage	1400 V (3–4 poles) 1250 V (5 poles)
Material group	II (IEC)/1 (UL) (400 ≤ CTI ≤ 600) ¹
Insulation resistance	> 100 MΩ

¹ acc. to IEC 60664/DIN EN 60664/CTI UL classification acc. to ANSI/UL 746A

M12

1245 ... T...CR

Pin assignment for female M12 connectors, A-coded, front view



- *a insulating body
- *b contact bush
- *c nut
- *d cap nut
- *e O-ring gasket
- *f O-ring gasket
- *g hose gasket
- *h housing
- *i knurled nut

Associated products

Counterparts

- | | | |
|---|---|---|
| ☞ 1210 ... 0... | ☞ 1210 ... 3... | ☞ 1210 0800 ... 3... |
| ☞ 1210 0806 ... L1 3... | ☞ 1210 1200 ... 0... | ☞ 1210 1200 ... 3... |
| ☞ 1210 1205 ... 3... | ☞ 1210 1206 ... L1 0... | ☞ 1210 1206 ... L1 3... |
| ☞ 1210 1206 ... L2 0... | ☞ 1210 1206 ... L2 3... | ☞ 1250 ... T...CR |
| ☞ 1255 ... T...CR | ☞ 5012 02 MFF | ☞ 5512 02 FMF |
| ☞ 5512 02 MFF | | |

Accessories

- [☞ 9912 CPFO](#)

M12

1245 ... T...CR

Designation	Pole Number	PU (Pieces)	MDQ (Pieces)	Dimensions		
				A (mm)	D (mm)	SW (mm)
1245 03 T7CR	3	5	10	-	7 (3.0-6.5)	15
1245 04 T7CR	4	5	10	-	7 (3.0-6.5)	15
1245 04 T9CR	4	5	10	-	9 (4.0-8.0)	19
1245 05 T7CR	5	5	10	-	7 (3.0-6.5)	15
1245 05 T9CR	5	5	10	-	9 (4.0-8.0)	19

Packaging:
in a plastic bag