

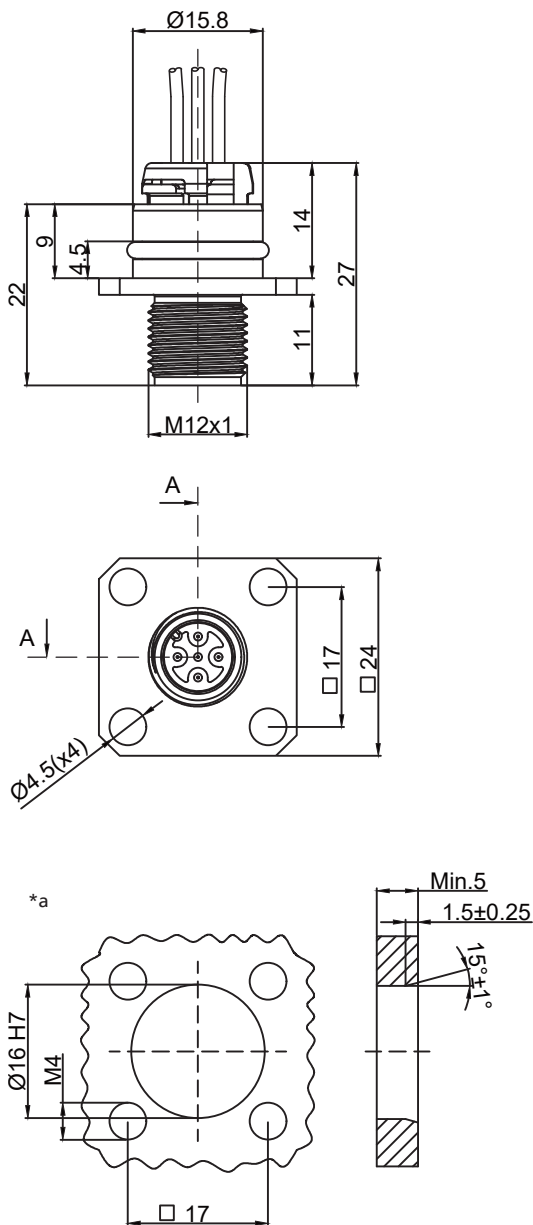
M12 1230 ... TF1CW004 ...

Panel Mount Connectors M12



M12 flange panel mount connector, male, A-coded, IP67,
for front mounting, with releasable contact insert and
stranded wires

M12 1230 ... TF1CW004 ...



Environmental conditions

Temperature range -25 °C/+80 °C

Materials

Insulating body PA
 Contact pin CuZn, pre-nickel and gold-plated
 Housing CuZn, nickel-plated
 Seal FKM

Mechanical data

Mating cycles ≥ 100
 Insertion force $\leq 10 \text{ N}^1$
 Withdrawal force $\leq 15 \text{ N}^1$
 Protection class IP67²

¹ measured with a proper counterpart

² according to IEC DIN EN 60529, only in locked condition with an appropriate counterpart

Electrical data (at T_{amb} 20 °C)

Contact resistance $\leq 10 \text{ m}\Omega$
 Rated current 4 A (3–5 poles)
 Rated voltage 250 V AC/DC (3–4 poles)
 60 V AC/DC (5 poles)¹
 Rated impulse voltage 2500 V (3–4 poles)
 1500 V (5 poles)¹
 Material group I (IEC)/0 (UL) (CTI ≥ 600)²
 Overvoltage category II²
 Insulation resistance $> 100 \text{ M}\Omega$

¹ acc. to IEC 60664/DIN EN 60664/CTI UL classification acc. to ANSI/UL 746A

² acc. to IEC 60664/DIN EN 60664/CTI UL classification acc. to ANSI/UL 746A

Associated products

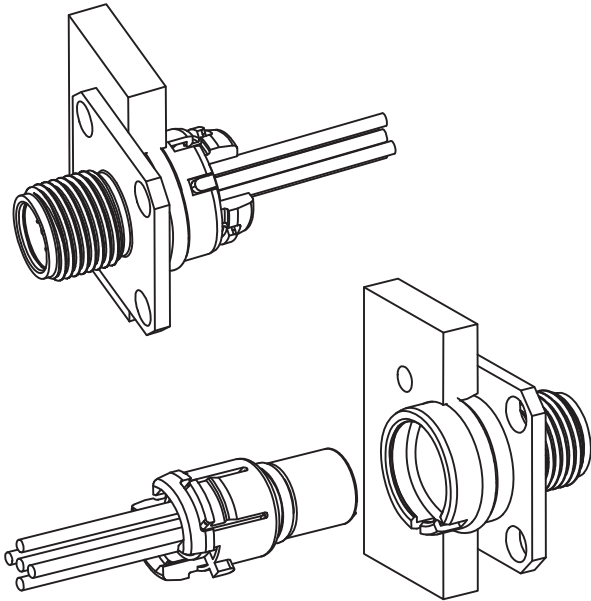
Counterparts

☞ 1200 ... 0...	☞ 1200 ... 3...	☞ 1200 ...S9 6...
☞ 1200 ...S9 7...	☞ 1205 ... 0...	☞ 1205 ... 3...
☞ 1205 ...S9 6...	☞ 1205 ...S9 7...	☞ 1206 ... L1 0...
☞ 1206 ... L1 3...	☞ 1206 ... L2 0...	☞ 1206 ... L2 3...
☞ 1210 1200 ... 0...	☞ 1210 1200 ... 3...	☞ 1210 1205 ... 3...
☞ 1210 1206 ... L1 0...	☞ 1210 1206 ... L1 3...	☞ 1210 1206 ... L2 0...
☞ 1210 1206 ... L2 3...	☞ 5512 02 FMF	

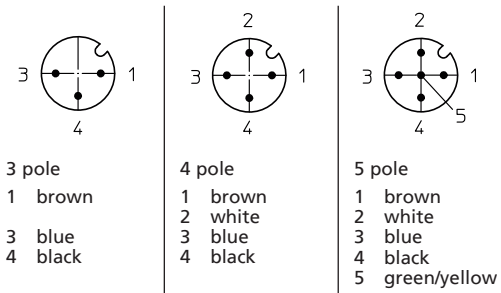
Accessories

☞ 9912 CPM0

M12 1230 ... TF1CW004 ...



Pin assignments for male M12 connectors, A-coded, front view



*a port

M12

1230 ... TF1CW004 ...

Designation	Pole Number	Connected Cable	PU (Pieces)	MDQ (Pieces)	Dimensions L (mm)
1230 03 TF1CW004 0,5m	3	PVC, brown/blue/black, 3 x 0.34 mm ² (AWG 22), UL/ CSA-style 1569	10	10	500
1230 04 TF1CW004 0,5m	4	PVC, brown/white/blue/ black, 4 x 0.34 mm ² (AWG 22), UL/CSA-style 1569	10	10	500
1230 05 TF1CW004 0,5m	5	PVC, brown/white/blue/ black/gray, 5 x 0.34 mm ² (AWG 22), UL/CSA-style 1569	10	10	500

Packaging:
in a plastic bag