

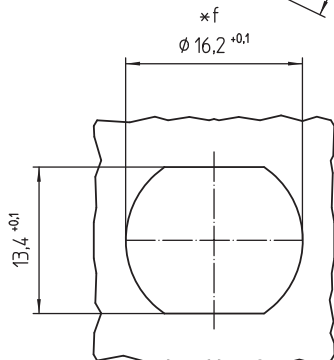
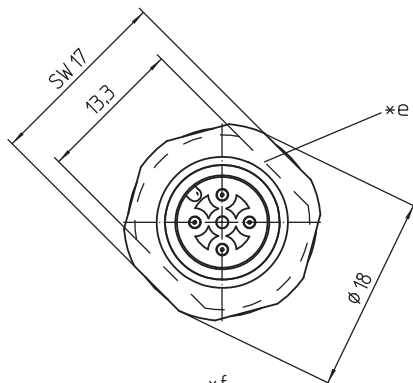
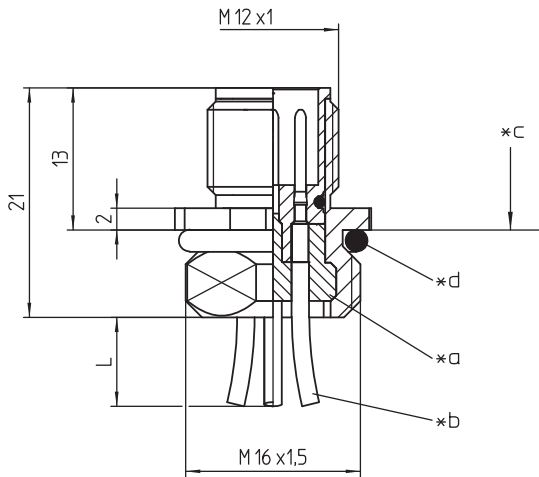
M12 1230 ... T16CW ...

Panel Mount Connectors M12



M12 panel mount connector, male, A-coded, IP67, for front mounting, thread M16, with nut and stranded wires

M12 1230 ... T16CW ...



Environmental conditions

Temperature range -25 °C/+80 °C

Materials

Insulating body	PA
Contact pin	CuZn, pre-nickel and gold-plated
Housing	CuZn, nickel-plated
Hexagonal nut	CuZn, nickel-plated
Seal	NBR

Mechanical data

Mating cycles	≥ 100
Insertion force	≤ 10 N ¹
Withdrawal force	≤ 15 N ¹
Protection class	IP67 ²

¹ measured with a proper counterpart

² according to IEC DIN EN 60529, only in locked condition with an appropriate counterpart

Electrical data (at T_{amb} 20 °C)

Contact resistance	≤ 5 mΩ
Rated current	4 A (3–5 poles) 2 A (8 poles) 1.5 A (12 poles) (T _{amb} 40 °C)
Rated voltage	250 V AC/DC (3–4 poles) 60 V AC/DC (5 poles) 30 V AC/DC (8–12 poles) ¹
Rated impulse voltage	2500 V (3–4 poles) 1500 V (5 poles) 800 V (8–12 poles) ¹
Material group	I (IEC)/0 (UL) (CTI ≥ 600) ²
Overvoltage category	II ²
Insulation resistance	> 100 MΩ

¹ acc. to IEC 60664/DIN EN 60664/CTI UL classification acc. to ANSI/UL 746A

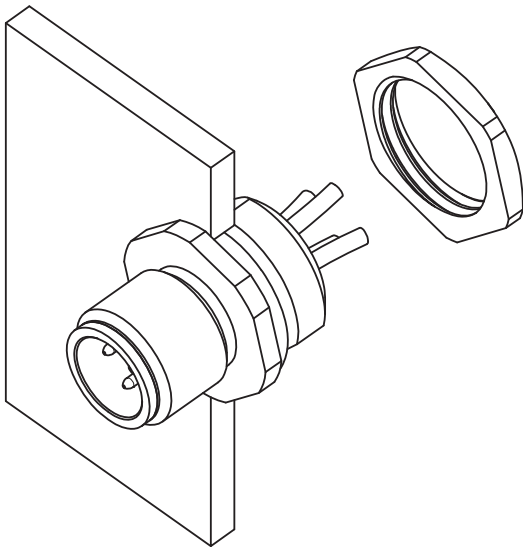
² acc. to IEC 60664/DIN EN 60664/CTI UL classification acc. to ANSI/UL 746A

Associated products

Counterparts

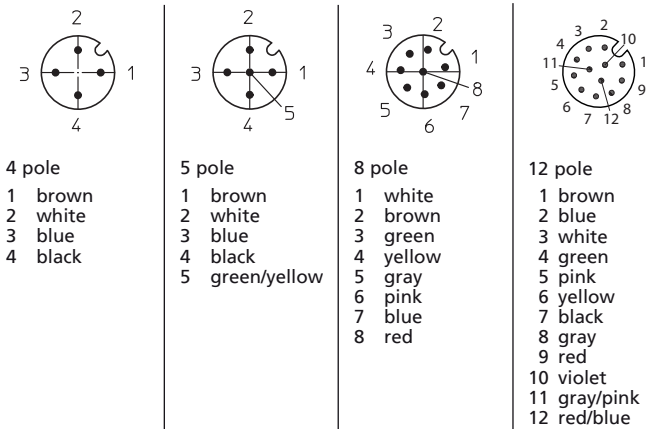
↗ 1200 ... 0...	↗ 1200 ... 3...	↗ 1200 ...S9 6...
↗ 1200 ...S9 7...	↗ 1205 ... 0...	↗ 1205 ... 3...
↗ 1205 ...S9 6...	↗ 1205 ...S9 7...	↗ 1206 ... L1 0...
↗ 1206 ... L1 3...	↗ 1206 ... L2 0...	↗ 1206 ... L2 3...
↗ 1210 1200 ... 0...	↗ 1210 1200 ... 3...	↗ 1210 1205 ... 3...
↗ 1210 1206 ... L1 0...	↗ 1210 1206 ... L1 3...	↗ 1210 1206 ... L2 0...
↗ 1210 1206 ... L2 3...	↗ 5512 02 FMF	

M12 1230 ... T16CW ...



Accessories
[☞ 9912 CPM0](#)

Pin assignment for male M12 connectors, A-coded, front view



- *a contact area potted
- *b stranded wire
- *c mounting direction
- *d O-ring gasket
- *e anti-rotation
- *f port in mounting plate

M12 1230 ... T16CW ...

Designation	Pole Number	Connected Cable	PU (Pieces)	MDQ (Pieces)	Dimensions L (mm)
1230 04 T16CW 0,5m	4	PVC, brown/white/blue/black, 4 x 0.34 mm ² (AWG 22), UL-style 1007	10	10	500
1230 05 T16CW 0,5m	5	PVC, brown/white/blue/black/green-yellow, 4 x 0.34 mm ² (AWG 22)/1 x 0.5 mm ² (AWG 20), UL- style 1007	10	10	500
1230 08 T16CW 0,2m	8	PVC, white/brown/green/yellow/grey/pink/blue/red, 8 x 0.25 mm ² (AWG 24), UL-style 1007	10	10	200
1230 08 T16CW 0,3m	8	PVC, white/brown/green/yellow/grey/pink/blue/red, 8 x 0.25 mm ² (AWG 24), UL-style 1007	10	10	300
1230 08 T16CW 0,5m	8	PVC, white/brown/green/yellow/grey/pink/blue/red, 8 x 0.25 mm ² (AWG 24), UL-style 1007	10	10	500
1230 12 T16CW 0,5m	12	PVC, brown/blue/white/green/pink/yellow/black/gray/red/violet/gray-pink/red-blue, 12 x 0.14 mm ² (AWG 26), UL-style 1007	10	10	500

Packaging:
in a plastic bag