

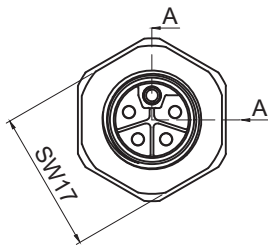
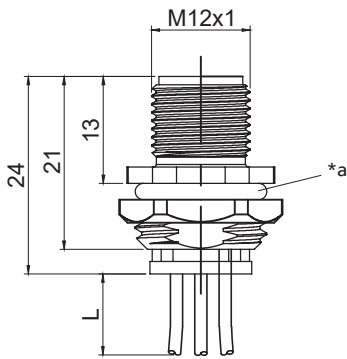
M12 1230 ...L T16CW ...

Panel Mount Connectors M12

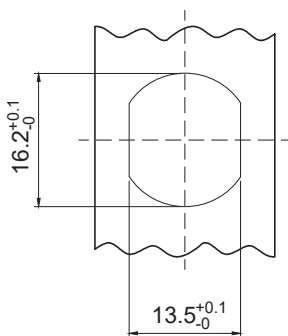


M12 Power panel mount connector, male, L-coded, IP67,
for front mounting, thread M16, with nut and stranded
wires

M12 1230 ...L T16CW ...



*b



Environmental conditions

Temperature range -40 °C/+90 °C

Materials

Insulating body	PA
Contact	Cu alloy, pre-nickel and gold-plated
Housing	CuZn, nickel-plated
Hexagonal nut	CuZn, nickel-plated
Seal	NBR

Mechanical data

Mating cycles	≥ 100
Insertion force	≤ 30 N (2-4 poles) ≤ 45 N (5 poles) ¹
Withdrawal force	≤ 30 N (2-4 poles) ≤ 45 N (5 poles) ¹
Protection class	IP67 ²

¹ measured with a proper counterpart

² according to IEC DIN EN 60529, only in locked condition with an appropriate counterpart

Electrical data (at T_{amb} 20 °C)

Contact resistance	≤ 10 mΩ
Rated current	16 A (T _{amb} 40 °C)
Rated voltage	63 V
Rated impulse voltage	1500 V/60 s
Material group	I (IEC)/0 (UL) (CTI ≥ 600)
Overvoltage category	III ¹
Pollution degree	3
Insulation resistance	> 100 MΩ

¹ acc. to IEC 60664/DIN EN 60664/CTI UL classification acc. to ANSI/UL 746A

Associated products

Counterparts

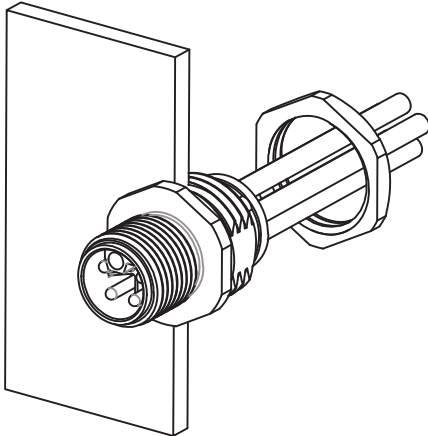
↗ 1200 ...L 3... ↗ 1210 1200 ...L 3...

Accessories

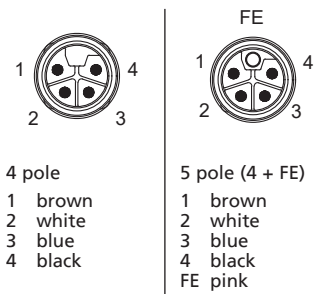
↗ 9912 CPM0

M12

1230 ...L T16CW ...



Pin assignment for male M12 Power connectors, L-coded



M12

1230 ...L T16CW ...

Designation	Pole Number	Connected Cable	PU (Pieces)	MDQ (Pieces)	Dimensions L (mm)
1230 04L T16CW 0,2m	4	PVC, brown/white/blue/black, 4 x 2.08 mm ² (AWG 14), UL-style 1569	10	10	200
1230 05L T16CW 0,2m	5 (4 + FE)	PVC, brown/white/blue/black/pink, 5 x 2.08 mm ² (AWG 14), UL-style 1569	10	10	200

Packaging:
in a plastic bag