

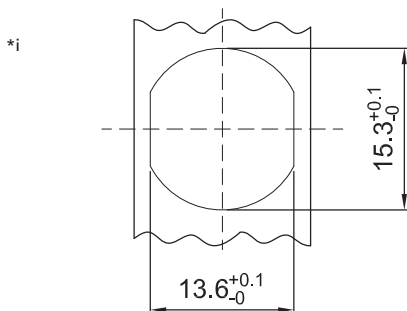
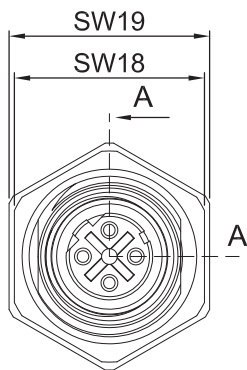
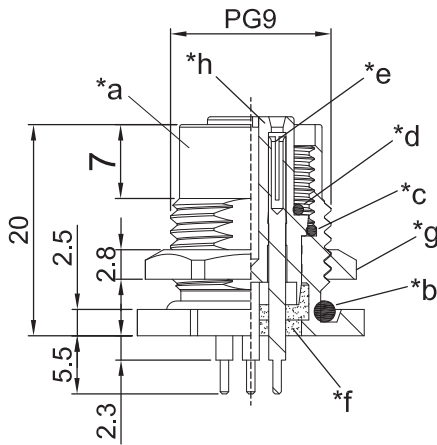
M12 1221 ...D T9CP

Panel Mount Connectors M12



M12 panel mount connector, female, D-coded, Industrial Ethernet, IP67, for rear side mounting, thread PG9, with nut, for printed circuit boards

M12 1221 ...D T9CP



Environmental conditions

Temperature range -25 °C/+80 °C

Materials

Insulating body	PA
Contact bush	CuZn, pre-nickel and gold-plated
Housing	CuZn, nickel-plated
Hexagonal nut	CuZn, nickel-plated
Seal	NBR

Mechanical data

Mating cycles	≥ 100
Insertion force	≤ 10 N ¹
Withdrawal force	≤ 15 N ¹
Protection class	IP67 ²

¹ measured with a proper counterpart

² according to IEC DIN EN 60529, only in locked condition with an appropriate counterpart

Electrical data (at T_{amb} 20 °C)

Contact resistance	≤ 5 mΩ
Rated current	4 A (T _{amb} 40 °C)
Rated voltage	250 V AC/DC ¹
Rated impulse voltage	2500 V ¹
Material group	I (IEC)/0 (UL) (CTI ≥ 600) ²
Overvoltage category	II ²
Insulation resistance	> 100 MΩ

¹ acc. to IEC 60664/DIN EN 60664/CTI UL classification acc. to ANSI/UL 746A

² acc. to IEC 60664/DIN EN 60664/CTI UL classification acc. to ANSI/UL 746A

Associated products

Counterparts

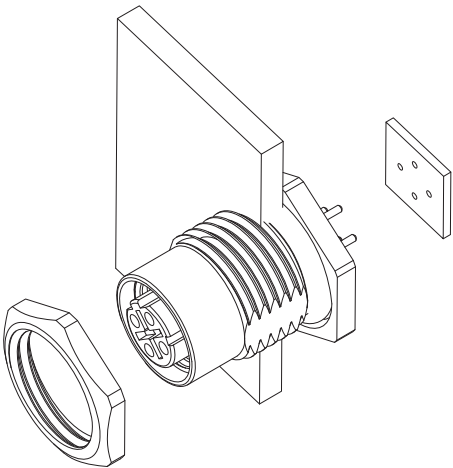
[☞ 1210 ...D S9 7...](#)
 [☞ 1210 1200 ...D S9 7...](#)
 [☞ 1210 1210 ...D S9 7...](#)
[☞ 1210 1221 ...D S9 T16 7...](#)

Accessories

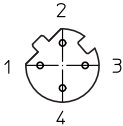
[☞ 9912 CPF0](#)

M12

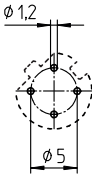
1221 ...D T9CP



Pin assignment and printed circuit board layouts for female M12 connectors, D-coded, front view, components side view of printed circuit board



4 pole



M12

1221 ...D T9CP

-
- *a housing
 - *b O-ring gasket
 - *c O-ring gasket
 - *d O-ring gasket
 - *e contact bush
 - *f potting
 - *g nut
 - *h insulating body
 - *i port in mounting plate

M12 1221 ...D T9CP

Designation	Pole Number	PU (Pieces)	MDQ (Pieces)
1221 04D T9CP	4	10	10

Packaging:
in a cardboard box