

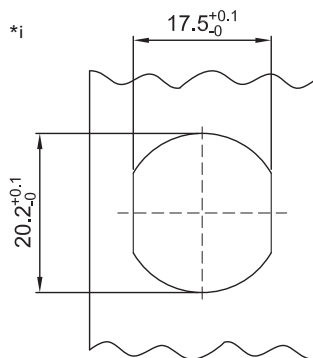
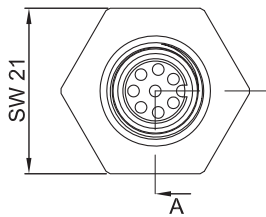
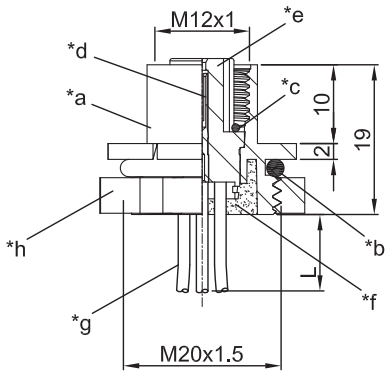
M12 1220 ... T20CW101 ...

Panel Mount Connectors M12



M12 panel mount connector, female, A-coded, IP67, for front mounting, thread M20, with nut and stranded wires with plastic housing, white

M12 1220 ... T20CW101 ...



Environmental conditions

Temperature range -25 °C/+80 °C

Materials

Insulating body	PA
Contact bush	CuZn, pre-nickel and gold-plated
Housing	PA
Hexagonal nut	PA
Seal	FKM

Mechanical data

Mating cycles	≥ 100
Insertion force	≤ 10 N ¹
Withdrawal force	≤ 15 N ¹
Protection class	IP67 ²

¹ measured with a proper counterpart

² according to IEC DIN EN 60529, only in locked condition with an appropriate counterpart

Electrical data (at T_{amb} 20 °C)

Contact resistance	≤ 5 mΩ
Rated current	4 A (3–5 poles) 2 A (8 poles) 1.5 A (12 poles) (T _{amb} 40 °C)
Rated voltage	250 V AC/DC (3–4 poles) 60 V AC/DC (5 poles) 30 V AC/DC (8–12 poles) ¹
Rated impulse voltage	2500 V (3–4 poles) 1500 V (5 poles) 800 V (8–12 poles) ¹
Material group	I (IEC)/0 (UL) (CTI ≥ 600) ²
Overvoltage category	II ²
Insulation resistance	> 100 MΩ

¹ acc. to IEC 60664/DIN EN 60664/CTI UL classification acc. to ANSI/UL 746A

² acc. to IEC 60664/DIN EN 60664/CTI UL classification acc. to ANSI/UL 746A

Associated products

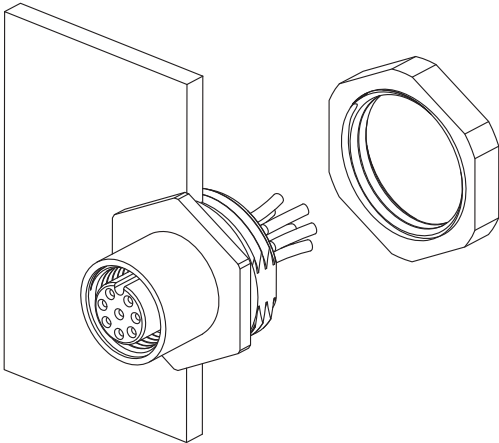
Counterparts

☞ 1210 ... 0...	☞ 1210 ... 3...	☞ 1210 0800 ... 3...
☞ 1210 0806 ... L1 3...	☞ 1210 1200 ... 0...	☞ 1210 1200 ... 3...
☞ 1210 1205 ... 3...	☞ 1210 1206 ... L1 0...	☞ 1210 1206 ... L1 3...
☞ 1210 1206 ... L2 0...	☞ 1210 1206 ... L2 3...	☞ 1250 ... T...CR
☞ 1255 ... T9CR		

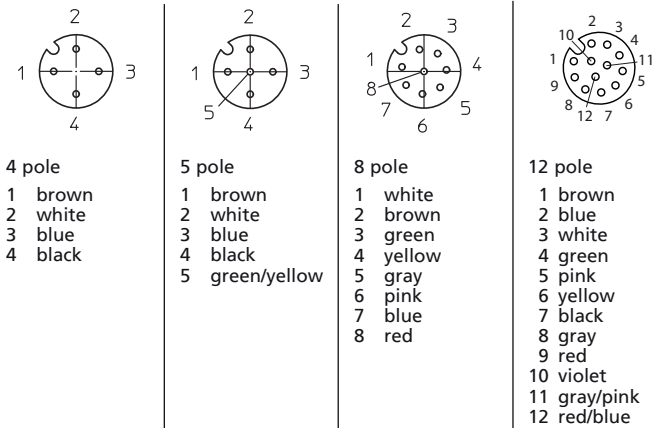
Accessories

☞ 9912 CPFO

M12 1220 ... T20CW101 ...



Pin assignment for female M12 connectors, A-coded, front view



M12 1220 ... T20CW101 ...

-
- *a housing
 - *b O-ring gasket
 - *c O-ring gasket
 - *d contact bush
 - *e insulating body
 - *f potting
 - *g stranded wire
 - *h nut
 - *i port in mounting plate

M12

1220 ... T20CW101 ...

Designation	Pole Number	Connected Cable	PU (Pieces)	MDQ (Pieces)	Dimensions L (mm)
1220 04 T20CW101 0,5m	4	PVC, brown/white/blue/black, 4 x 0.34 mm ² (AWG 22), UL-style 1007, 0.5 m	10	10	500
1220 05 T20CW101 0,5m	5	PVC, brown/white/blue/black/gray, 4 x 0.34 mm ² (AWG 22)/1 x 0.5 mm ² (AWG 20), UL-style 1007, 0.5 m	10	10	500

Packaging:
in a plastic bag