

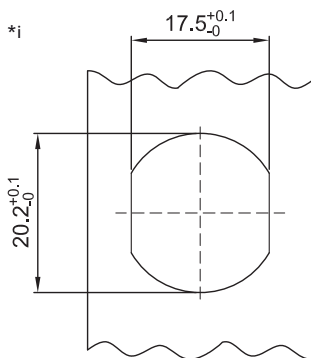
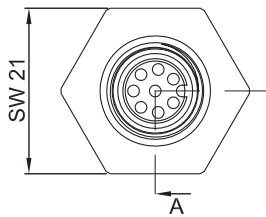
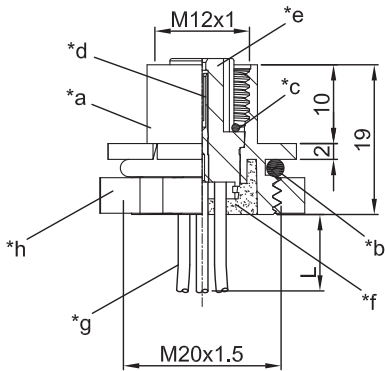
M12 1220 ... T20CW100 ...

## Panel Mount Connectors M12



M12 panel mount connector, female, A-coded, IP67, for front mounting, thread M20, with nut and stranded wires, with plastic housing, black

**M12** 1220 ... T20CW100 ...



**Environmental conditions**

Temperature range -25 °C/+80 °C

**Materials**

Insulating body	PA
Contact bush	CuZn, pre-nickel and gold-plated
Housing	PA
Hexagonal nut	PA
Seal	FKM

**Mechanical data**

Mating cycles	≥ 100
Insertion force	≤ 10 N <sup>1</sup>
Withdrawal force	≤ 15 N <sup>1</sup>
Protection class	IP67 <sup>2</sup>

<sup>1</sup> measured with a proper counterpart

<sup>2</sup> according to IEC DIN EN 60529, only in locked condition with an appropriate counterpart

**Electrical data (at T<sub>amb</sub> 20 °C)**

Contact resistance	≤ 5 mΩ
Rated current	4 A (3–5 poles) 2 A (8 poles) 1.5 A (12 poles) (T <sub>amb</sub> 40 °C)
Rated voltage	250 V AC/DC (3–4 poles) 60 V AC/DC (5 poles) 30 V AC/DC (8–12 poles) <sup>1</sup>
Rated impulse voltage	2500 V (3–4 poles) 1500 V (5 poles) 800 V (8–12 poles) <sup>1</sup>
Material group	I (IEC)/0 (UL) (CTI ≥ 600) <sup>2</sup>
Overvoltage category	II <sup>2</sup>
Insulation resistance	> 100 MΩ

<sup>1</sup> acc. to IEC 60664/DIN EN 60664/CTI UL classification acc. to ANSI/UL 746A

<sup>2</sup> acc. to IEC 60664/DIN EN 60664/CTI UL classification acc. to ANSI/UL 746A

**Associated products**

Counterparts

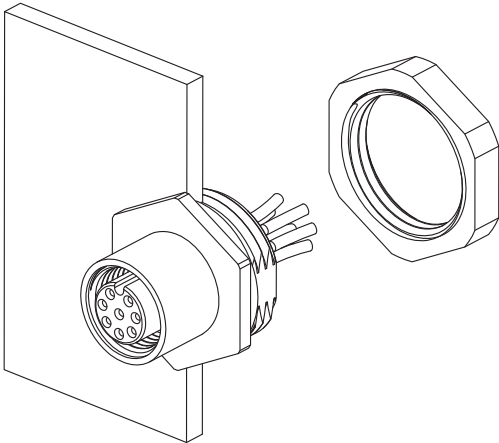
☞ 1210 ... 0...	☞ 1210 ... 3...	☞ 1210 0800 ... 3...
☞ 1210 0806 ... L1 3...	☞ 1210 1200 ... 0...	☞ 1210 1200 ... 3...
☞ 1210 1205 ... 3...	☞ 1210 1206 ... L1 0...	☞ 1210 1206 ... L1 3...
☞ 1210 1206 ... L2 0...	☞ 1210 1206 ... L2 3...	☞ 1250 ... T...CR
☞ 1255 ... T9CR		

Accessories

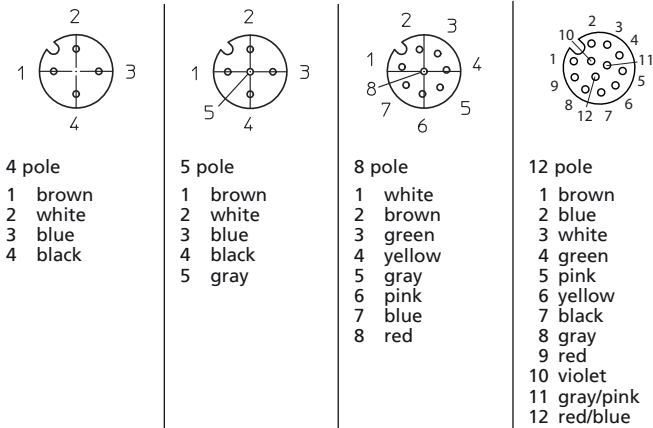
☞ 9912 CPFO

M12

1220 ... T20CW100 ...



Pin assignment for female M12 connectors, A-coded, front view



M12

1220 ... T20CW100 ...

- 
- \*a housing
  - \*b O-ring gasket
  - \*c O-ring gasket
  - \*d contact bush
  - \*e insulating body
  - \*f potting
  - \*g stranded wire
  - \*h nut
  - \*i port in mounting plate

M12

1220 ... T20CW100 ...

Designation	Pole Number	Connected Cable	PU (Pieces)	MDQ (Pieces)	Dimensions L (mm)
1220 04 T20CW100 0,5m	4	PVC, brown/white/blue/black, 4 x 0.34 mm <sup>2</sup> (AWG 22), UL-style 1007	10	10	500
1220 05 T20CW100 0,5m	5	PVC, brown/white/blue/black/gray, 5 x 0.34 mm <sup>2</sup> (AWG 22), UL-style 1007	10	10	500
1220 08 T20CW100 0,5m	8	PVC, white/brown/green/yellow/grey/pink/blue/red, 8 x 0.25 mm <sup>2</sup> (AWG 24), UL-style 1007	10	10	500
1220 12 T20CW100 0,5m	12	PVC, brown/blue/white/green/pink/yellow/black/gray/red/ violet/gray-pink/red-blue, 12 x 0.14 mm <sup>2</sup> (AWG 26), UL-style 1007	10	10	500

**Packaging:**  
in a plastic bag