

M12

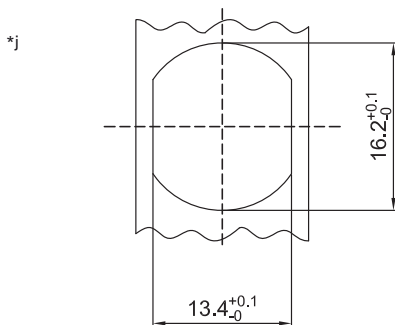
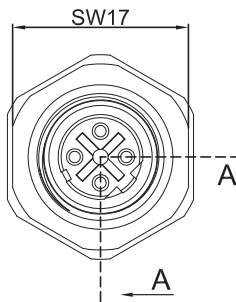
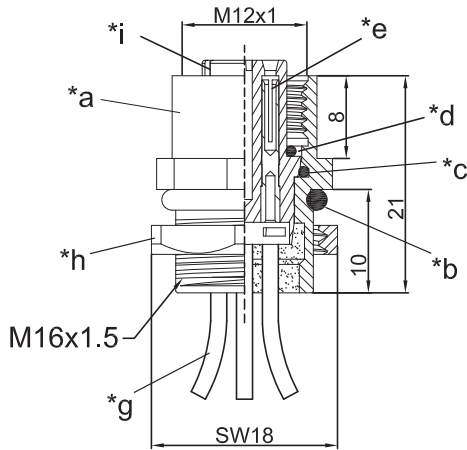
1220 ...D T16CW ...

Panel Mount Connectors M12



M12 panel mount connector, female, D-coded, IP67, for front mounting, thread M16, with nut and stranded wires

**M12** 1220 ...D T16CW ...



**Environmental conditions**

Temperature range -25 °C/+80 °C

**Materials**

Insulating body	PA
Contact bush	CuZn, pre-nickel and gold-plated
Housing	CuZn, nickel-plated
Hexagonal nut	CuZn, nickel-plated
Seal	FKM/NBR

**Mechanical data**

Mating cycles	≥ 100
Insertion force	≤ 10 N <sup>1</sup>
Withdrawal force	≤ 15 N <sup>1</sup>
Protection class	IP67 <sup>2</sup>

<sup>1</sup> measured with a proper counterpart

<sup>2</sup> according to IEC DIN EN 60529, only in locked condition with an appropriate counterpart


**Electrical data (at T<sub>amb</sub> 20 °C)**

Contact resistance	≤ 5 mΩ
Rated current	4 A (T <sub>amb</sub> 40 °C)
Rated voltage	250 V AC/DC <sup>1</sup>
Rated impulse voltage	2500 V <sup>1</sup>
Material group	I (IEC)/0 (UL) (CTI ≥ 600) <sup>2</sup>
Overvoltage category	II <sup>2</sup>
Insulation resistance	> 100 MΩ

<sup>1</sup> acc. to IEC 60664/DIN EN 60664/CTI UL classification acc. to ANSI/UL 746A

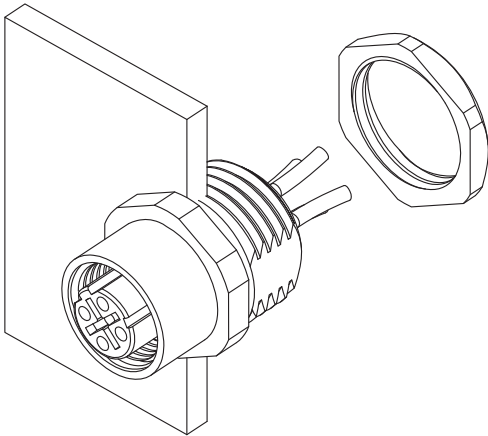
<sup>2</sup> acc. to IEC 60664/DIN EN 60664/CTI UL classification acc. to ANSI/UL 746A

**Associated products**

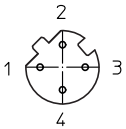
Accessories  
 9912 CPFO

M12

1220 ...D T16CW ...



Pin assignment for female M12 connectors, D-coded, front view



- 4 pole
- 1 yellow
- 2 white
- 3 orange
- 4 blue

- \*a housing
- \*b O-ring gasket
- \*c O-ring gasket
- \*d O-ring gasket
- \*e contact pin
- \*f potting
- \*g stranded wire
- \*h nut
- \*i insulating body
- \*j port in mounting plate

M12 1220 ...D T16CW ...

Designation	Pole Number	Connected Cable	PU (Pieces)	MDQ (Pieces)	Dimensions L (mm)
1220 04D T16CW 0,5m	4	PVC, yellow/white/orange/ blue, 4 x 0.34 mm <sup>2</sup> (AWG 22), UL-style 1007	10	10	500

**Packaging:**  
in a plastic bag