

M12

1210 1206 ... L2 3...

Cordsets M12



Actuator/sensor cordset with overmolded connectors

Cable end 1:

M12 male, straight, A-coded, IP67

Cable end 2:

M12 female, angled, with LED L2, A-coded, IP67

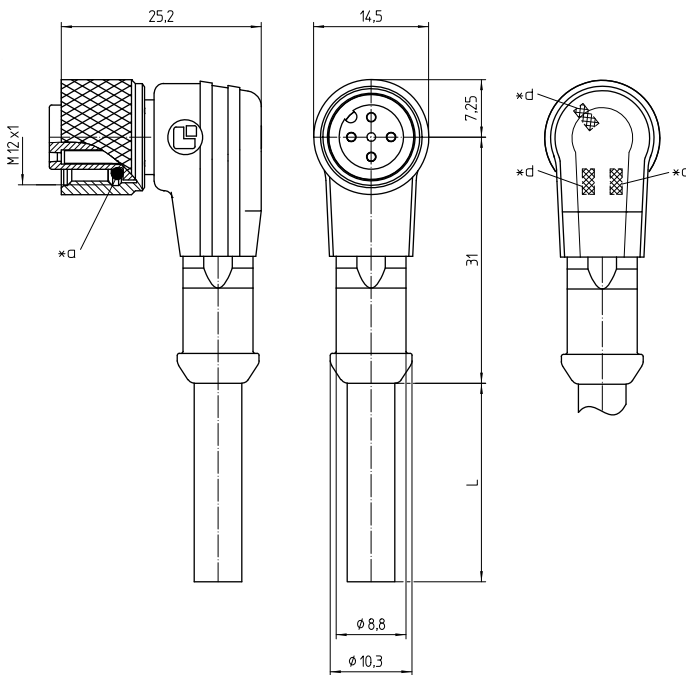
Cable:

PUR, black

Approvals:  US pending

M12

1210 1206 ... L2 3...



Environmental conditions

Temperature range $\leq 15 \text{ N}^1$

¹ measured with a proper counterpart

Materials

Insulating body	TPU GF, HB according to UL94
Contact bush	CuZn, pre-nickel and gold-plated
Contact pin	CuZn, pre-nickel and gold-plated
Overmolding/handle	TPU ¹
Knurled screw	CuZn, nickel-plated
Knurled nut	CuZn, nickel-plated
Seal	FKM

¹ material halogen-free

Mechanical data

Mating cycles ≥ 100

Insertion force $\leq 10 \text{ N}^1$

Protection class IP67²

¹ measured with a proper counterpart

² according to IEC DIN EN 60529, only in locked condition with an appropriate counterpart

Connected cable

Outer jacket PUR, black

Electrical data (at $T_{\text{amb}} 20 \text{ }^\circ\text{C}$)

Contact resistance $\leq 10 \text{ m}\Omega$

Rated current 4 A ($T_{\text{amb}} 40 \text{ }^\circ\text{C}$)

Rated voltage 30 V DC

Material group I (IEC)/0 (UL) (CTI = 600)

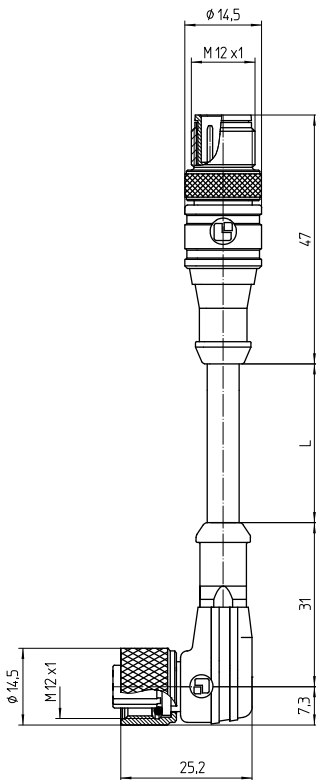
Insulation resistance $> 100 \text{ M}\Omega$

Associated products

Counterparts

↗ 1200 ... 0...	↗ 1200 ... 3...	↗ 1205 ... 0...
↗ 1205 ... 3...	↗ 1210 ... 0...	↗ 1210 ... 3...
↗ 1220 ... T16CW ...	↗ 1220 ... T20CW100 ...	↗ 1220 ... T20CW101 ...
↗ 1220 ... T20CW102 ...	↗ 1220 ... T20CW103 ...	↗ 1220 ... T20CW104 ...
↗ 1220 ... T20CW105 ...	↗ 1221 ... T16CW100 ...	↗ 1221 ... T9CP
↗ 1230 ... T16CW ...	↗ 1230 ... T16CW100 ...	↗ 1230 ... T16CW101 ...
↗ 1230 ... T16CW102 ...	↗ 1230 ... T16CW103 ...	↗ 1230 ... T16CW104 ...
↗ 1230 ... T16CW105 ...	↗ 1231 ... T16CW100 ...	↗ 1231 ... T9CP

M12 1210 1206 ... L2 3...

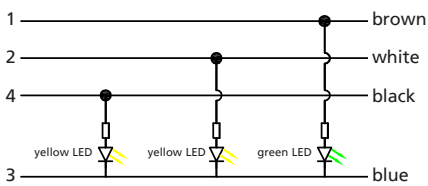


- | | | |
|-------------------|-------------------|-------------------|
| ☞ 1239 ... T0CB | ☞ 1240 ... T...CR | ☞ 1245 ... T9CR |
| ☞ 1250 ... T...CR | ☞ 1255 ... T9CR | ☞ 5500 04DL1 3... |
| ☞ 5500 04L1 3... | ☞ 5500 08DL1 3... | ☞ 5500 08L1 3... |
| ☞ 5512 04DL1 | ☞ 5512 04L1 | ☞ 5512 08L1 |

Accessories

- | | | |
|-------------|-------------|-------------|
| ☞ 9912 CPF0 | ☞ 9912 CPM0 | ☞ 9912 MRBU |
| ☞ 9912 MRGN | ☞ 9912 MRRD | ☞ 9912 MRWH |
| ☞ 9912 MRYE | | |

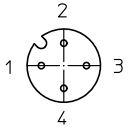
Connection diagram (PNP, normally open)



M12

1210 1206 ... L2 3...

Pin assignment for female M12 connectors, A-coded, front view



4 pole

- 1 brown
- 2 white
- 3 blue
- 4 black

- *a O-ring gasket
- *c operation indicator green
- *d function indicator yellow

M12

1210 1206 ... L2 3...

Designation	Pole Number	Connected Cable	PU (Pieces)	MDQ (Pieces)	Dimensions L (mm)
1210 1206 04 L2 301 0,3m	4	PUR, black, 4 x 0.34 mm ² (AWG 22), 910301, UL-style 20549	5	10	300
1210 1206 04 L2 301 1m	4	PUR, black, 4 x 0.34 mm ² (AWG 22), 910301, UL-style 20549	5	10	1000
1210 1206 04 L2 301 2m	4	PUR, black, 4 x 0.34 mm ² (AWG 22), 910301, UL-style 20549	5	10	2000
1210 1206 04 L2 301 5m	4	PUR, black, 4 x 0.34 mm ² (AWG 22), 910301, UL-style 20549	1	10	5000

Packaging:
in a plastic bag