

M12

1210 1206 ... L1 3...

Cordsets M12



Actuator/sensor cordset with overmolded connectors

Cable end 1:

M12 male, straight, A-coded, IP67

Cable end 2:

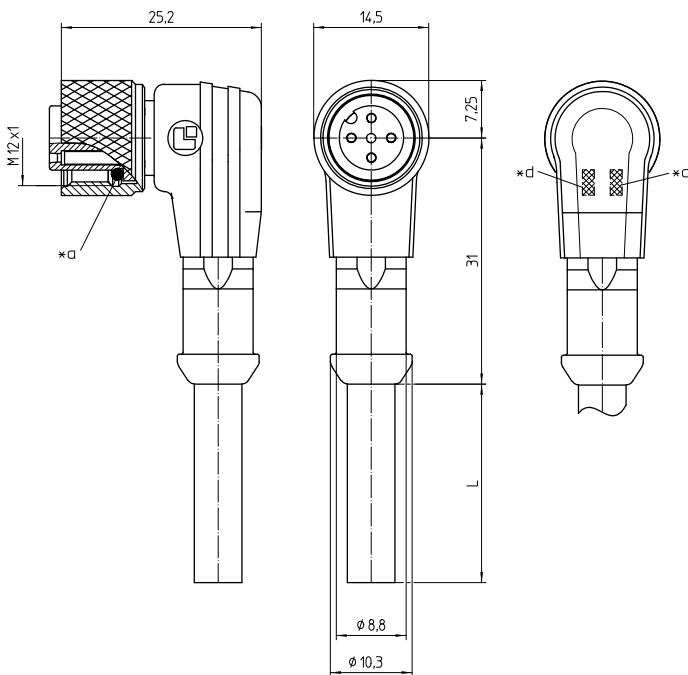
M12 female, angled, with LED L1, A-coded, IP67

Cable:

PUR, black

Approvals:  US pending

M12 1210 1206 ... L1 3...



Environmental conditions

Temperature range $\leq 15 \text{ N}^1$

¹ measured with a proper counterpart

Materials

Insulating body	TPU GF, HB according to UL94
Contact bush	CuZn, pre-nickel and gold-plated
Contact pin	CuZn, pre-nickel and gold-plated
Overmolding/handle	TPU ¹
Knurled screw	CuZn, nickel-plated
Knurled nut	CuZn, nickel-plated
Seal	FKM

¹ material halogen-free

Mechanical data

Mating cycles ≥ 100

Insertion force $\leq 10 \text{ N}^1$

Protection class IP67²

¹ measured with a proper counterpart

² according to IEC DIN EN 60529, only in locked condition with an appropriate counterpart

Connected cable

Outer jacket PUR, black

Electrical data (at $T_{\text{amb}} 20 \text{ }^\circ\text{C}$)

Contact resistance $\leq 10 \text{ m}\Omega$

Rated current 4 A ($T_{\text{amb}} 40 \text{ }^\circ\text{C}$)

Rated voltage 30 V DC

Material group I (IEC)/0 (UL) (CTI = 600)

Insulation resistance $> 100 \text{ M}\Omega$

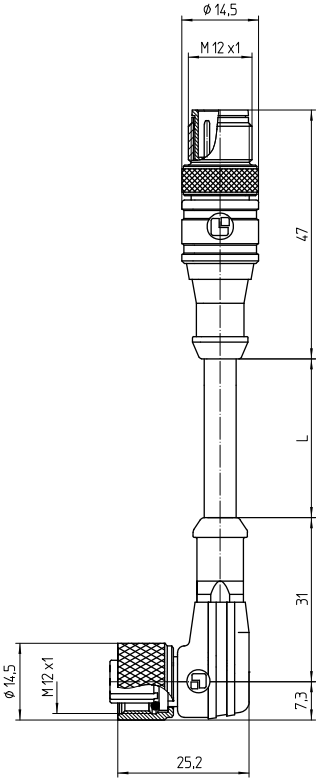
Associated products

Counterparts

↗ 1200 ... 0...	↗ 1200 ... 3...	↗ 1205 ... 0...
↗ 1205 ... 3...	↗ 1210 ... 0...	↗ 1210 ... 3...
↗ 1220 ... T16CW ...	↗ 1220 ... T20CW100 ...	↗ 1220 ... T20CW101 ...
↗ 1220 ... T20CW102 ...	↗ 1220 ... T20CW103 ...	↗ 1220 ... T20CW104 ...
↗ 1220 ... T20CW105 ...	↗ 1221 ... T16CW100 ...	↗ 1221 ... T9CP
↗ 1230 ... T16CW ...	↗ 1230 ... T16CW100 ...	↗ 1230 ... T16CW101 ...
↗ 1230 ... T16CW102 ...	↗ 1230 ... T16CW103 ...	↗ 1230 ... T16CW104 ...
↗ 1230 ... T16CW105 ...	↗ 1231 ... T16CW100 ...	↗ 1231 ... T9CP

M12

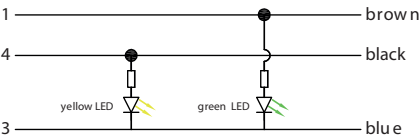
1210 1206 ... L1 3...



- ☞ 1239 ... T0CB
- ☞ 1240 ... T...CR
- ☞ 1245 ... T9CR
- ☞ 1250 ... T...CR
- ☞ 1255 ... T9CR
- ☞ 5500 04DL1 3...
- ☞ 5500 08DL1 3...
- ☞ 5500 08L1 3...
- ☞ 5512 04DL1
- ☞ 5512 04L1
- ☞ 5512 08L1

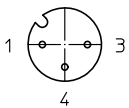
- Accessories
- ☞ 9912 CPF0
 - ☞ 9912 CPM0
 - ☞ 9912 MRBU
 - ☞ 9912 MRGN
 - ☞ 9912 MRRD
 - ☞ 9912 MRWH
 - ☞ 9912 MRYE

Connection diagram (PNP, normally open)



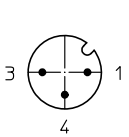
M12 1210 1206 ... L1 3...

Pin assignment for female M12 connectors, A-coded, front view

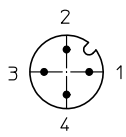


- 3 pole
 1 brown
 3 blue
 4 black

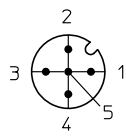
Pin assignment for male M12 connectors, A-coded, front view



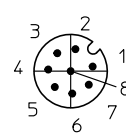
- 3 pole
 1 brown
 3 blue
 4 black



- 4 pole
 1 brown
 2 white
 3 blue
 4 black



- 5 pole
 1 brown
 2 white
 3 blue
 4 black
 5 gray



- 8 pole
 1 white
 2 brown
 3 green
 4 yellow
 5 gray
 6 pink
 7 blue
 8 red

- *a O-ring gasket
 *c operation indicator green
 *d function indicator yellow

M12

1210 1206 ... L1 3...

Designation	Pole Number	Connected Cable	PU (Pieces)	MDQ (Pieces)	Dimensions L (mm)
1210 1206 03 L1 300 0,3m	3	PUR, black, 3 x 0.34 mm ² (AWG 22), 910300, UL-style 20549	5	10	300
1210 1206 03 L1 300 1m	3	PUR, black, 3 x 0.34 mm ² (AWG 22), 910300, UL-style 20549	5	10	1000
1210 1206 03 L1 300 2m	3	PUR, black, 3 x 0.34 mm ² (AWG 22), 910300, UL-style 20549	5	10	2000
1210 1206 03 L1 300 5m	3	PUR, black, 3 x 0.34 mm ² (AWG 22), 910300, UL-style 20549	1	10	5000

Packaging:
in a plastic bag