

M12

1210 1205 ... 3...

Actuator/Sensor Cordsets M12



Actuator/sensor cordset with overmolded connectors

Cable end 1:

M12 male, straight, A-coded, IP67

Cable end 2:

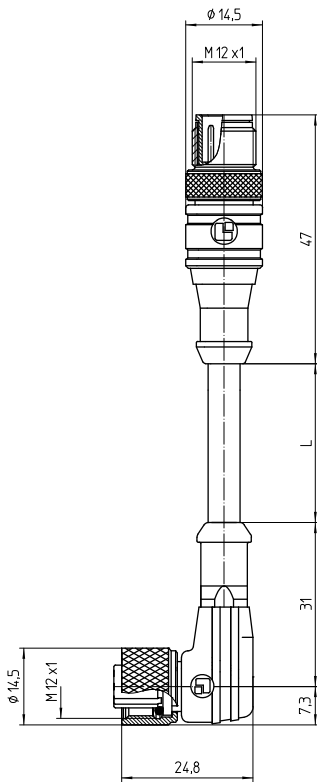
M12 female, angled, A-coded, IP67

Cable:

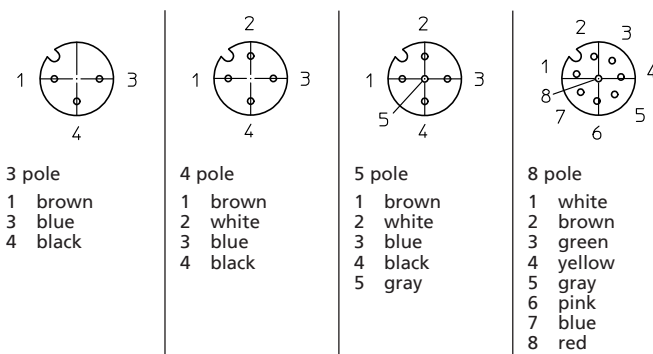
PUR, black

Approvals:  US pending

M12 1210 1205 ... 3...



Pin assignments for female M12 connectors, A-coded, front view



Environmental conditions

Temperature range -25 °C/+80 °C

Materials

Insulating body	TPU GF, HB according to UL94
Contact bush	CuZn, pre-nickel and gold-plated
Contact pin	CuZn, pre-nickel and gold-plated
Overmolding/handle	TPU ¹
Knurled screw	CuZn, pre-nickel and gold-plated
Knurled nut	CuZn, pre-nickel and gold-plated
Seal	FKM

¹ material halogen-free

Mechanical data

Mating cycles ≥ 100
Protection class IP67¹

¹ according to IEC DIN EN 60529, only in locked condition with an appropriate counterpart

Connected cable

Construction PUR, black

Electrical data (at T_{amb} 20 °C)

Contact resistance	≤ 10 mΩ
Rated current	4 A (3–5 poles) 2 A (8 poles) 1.5 A (12 poles) (T _{amb} 40 °C)
Rated voltage	250 V AC/DC (3–4 poles) 60 V AC/DC (5 poles) 30 V AC/DC (8–12 poles)
Rated impulse voltage	2500 V (3–4 poles) 1500 V (5 poles) 800 V (8–12 poles)
Material group	I (IEC)/0 (UL) (CTI = 600)
Insulation resistance	> 100 MΩ

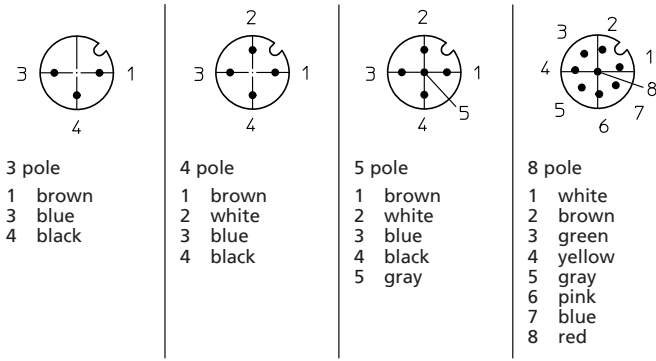
Associated products

Counterparts		
1200 ... 0...	1200 ... 3...	1205 ... 0...
1205 ... 3...	1206 ... L1 0...	1206 ... L1 3...
1206 ... L2 0...	1206 ... L2 3...	1210 ... 0...
1210 ... 3...	1220 ... T16CW ...	1220 ... T20CW100 ...
1220 ... T20CW101 ...	1220 ... T20CW102 ...	1220 ... T20CW103 ...

M12

1210 1205 ... 3...

Pin assignments for male M12 connectors, A-coded, front view



- [1220 ... T20CW104 ...](#) [1220 ... T20CW105 ...](#) [1221 ... T16CW100 ...](#)
- [1221 ... T9CP](#) [1230 ... T16CW ...](#) [1230 ... T16CW100 ...](#)
- [1230 ... T16CW101 ...](#) [1230 ... T16CW102 ...](#) [1230 ... T16CW103 ...](#)
- [1230 ... T16CW104 ...](#) [1230 ... T16CW105 ...](#) [1231 ... T16CW100 ...](#)
- [1231 ... T9CP](#) [1239 ... T0CB](#) [1250 ... T...CR](#)
- [1255 ... T9CR](#) [5500 04DL1 3...](#) [5500 04L1 3...](#)
- [5500 08DL1 3...](#) [5500 08L1 3...](#) [5512 04DL1](#)
- [5512 04L1](#) [5512 08L1](#)

- Accessories
- [9912 CPF0](#) [9912 CPM0](#)

M12

1210 1205 ... 3...

Designation	Pole Number	Connected Cable	PU (Pieces)	MDQ (Pieces)	Dimensions L (mm)
1210 1205 04 301 2m	4	PUR, black, 4 x 0.34 mm ² (AWG 22), 910301, UL-style 20549	5	10	2000

Packaging:
in a plastic bag