

M12 1210 1200 ...L 3...

Cordsets M12



Power cordset with overmolded connectors

**Cable end 1:**

M12 Power male, straight, L-coded, IP67

**Cable end 2:**

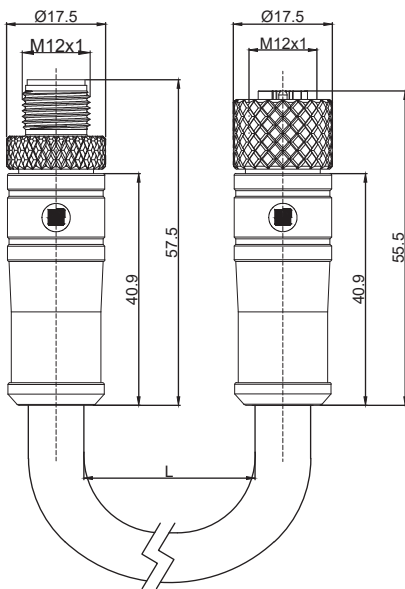
M12 Power female, straight, L-coded, IP67

**Cable:**

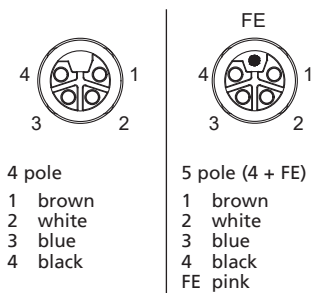
PUR, black

M12

1210 1200 ...L 3...



Pin assignment for female M12 Power connectors, L-coded



### Environmental conditions

Temperature range -40 °C/+90 °C

### Materials

|                    |                                      |
|--------------------|--------------------------------------|
| Insulating body    | PA                                   |
| Contact            | Cu alloy, pre-nickel and gold-plated |
| Overmolding/handle | TPU <sup>1</sup>                     |
| Knurled screw      | CuZn, nickel-plated                  |
| Knurled nut        | CuZn, nickel-plated                  |
| O-ring gasket      | NBR                                  |

<sup>1</sup> material halogen-free

### Mechanical data

|                  |   |
|------------------|---|
| Mating cycles    | ≥ 100   |
| Insertion force  | ≤ 30 N (2–4 poles)<br>≤ 45 N (5 poles) <sup>1</sup> |
| Withdrawal force | ≤ 30 N (2–4 poles)<br>≤ 45 N (5 poles) <sup>1</sup> |
| Protection class | IP67 <sup>2</sup>                                   |

<sup>1</sup> measured with a proper counterpart

<sup>2</sup> according to IEC DIN EN 60529, only in locked condition with an appropriate counterpart

### Connected cable

Outer jacket PUR, black

### Electrical data (at T<sub>amb</sub> 20 °C)

|                       |                               |
|-----------------------|-------------------------------|
| Contact resistance    | ≤ 10 mΩ                       |
| Rated current         | 16 A (T <sub>amb</sub> 40 °C) |
| Rated voltage         | 63 V                          |
| Rated impulse voltage | 1500 V/60 s                   |
| Material group        | I (IEC)/0 (UL) (CTI = 600)    |
| Overvoltage category  | III                           |
| Pollution degree      | 3                             |
| Insulation resistance | > 100 MΩ                      |

### Associated products

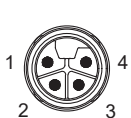
Counterparts  
[☞ 1200 ...L 3...](#)      [☞ 1210 ...L 3...](#)      [☞ 1220 ...L T16CW ...](#)  
[☞ 1230 ...L T16CW ...](#)

Accessories  
[☞ 9912 CPM0](#)

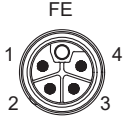
M12

1210 1200 ...L 3...

Pin assignment for male M12 Power connectors, L-coded



- 4 pole
- 1 brown
  - 2 white
  - 3 blue
  - 4 black



- 5 pole (4 + FE)
- 1 brown
  - 2 white
  - 3 blue
  - 4 black
  - FE pink

M12

1210 1200 ...L 3...

| Designation            | Pole Number | Connected Cable   | PU (Pieces) | MDQ (Pieces) | Dimensions<br>L (mm) |
|------------------------|-------------|---|-------------|--------------|----------------------|
| 1210 1200 05L 332 0,6m | 5 (4 + FE)  | PUR, black, 5 x 2.08 mm <sup>2</sup><br>(AWG 14),<br>910332, UL-style 20939 | 1           | 10           | 600                  |
| 1210 1200 05L 332 1,5m | 5 (4 + FE)  | PUR, black, 5 x 2.08 mm <sup>2</sup><br>(AWG 14),<br>910332, UL-style 20939 | 1           | 10           | 1500                 |
| 1210 1200 05L 332 2m   | 5 (4 + FE)  | PUR, black, 5 x 2.08 mm <sup>2</sup><br>(AWG 14),<br>910332, UL-style 20939 | 1           | 10           | 2000                 |
| 1210 1200 05L 332 5m   | 5 (4 + FE)  | PUR, black, 5 x 2.08 mm <sup>2</sup><br>(AWG 14),<br>910332, UL-style 20939 | 1           | 10           | 5000                 |

**Packaging:**  
in a plastic bag