

M12

1210 0806 ... L1 3...

## Actuator/Sensor Cordsets M12



Actuator/sensor cordset with overmolded connectors

**Cable end 1:**

M12 male, straight, A-coded, IP67

**Cable end 2:**

M8 female, angled, with LED L1, A-coded, IP67

**Cable:**

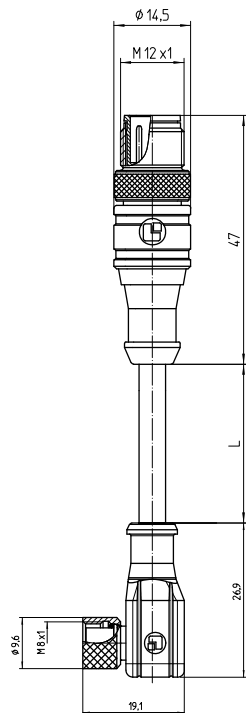
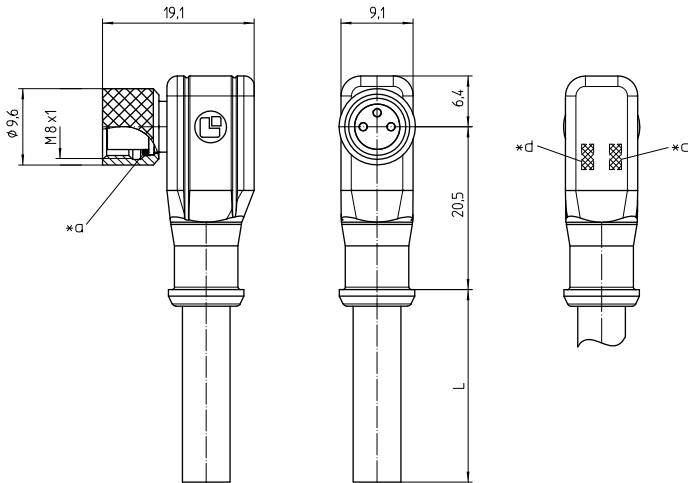
PUR, black

---

Approvals:  US pending

---

**M12 1210 0806 ... L1 3...**



**Environmental conditions**

Temperature range -25 °C/+80 °C

**Materials**

Insulating body	TPU GF, HB according to UL94
Contact bush	CuZn, pre-nickel and gold-plated
Contact pin	CuZn, pre-nickel and gold-plated
Overmolding/handle	TPU <sup>1</sup>
Knurled screw	CuZn, nickel-plated
Knurled nut	CuZn, nickel-plated
Seal	FKM

<sup>1</sup> material halogen-free

**Mechanical data**

Mating cycles  $\geq 100$   
Protection class IP67<sup>1</sup>

<sup>1</sup> according to IEC DIN EN 60529, only in locked condition with an appropriate counterpart

**Connected cable**

Construction PUR, black

**Electrical data (at T<sub>amb</sub> 20 °C)**

Contact resistance	$\leq 10 \text{ m}\Omega$
Rated current	4 A (T <sub>amb</sub> 40 °C)
Rated voltage	10–30 V DC (with pollution degree 3)
Material group	I (IEC)/0 (UL) (CTI = 600)
Insulation resistance	> 100 M $\Omega$

**Associated products**

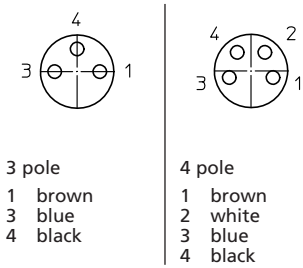
Counterparts

<a href="#">☞ 0810 ... 0...</a>	<a href="#">☞ 0810 ... 3...</a>	<a href="#">☞ 0810 0800 ... 0...</a>
<a href="#">☞ 0810 0800 ... 3...</a>	<a href="#">☞ 0810 0805 ... 3...</a>	<a href="#">☞ 0830 ... T8CW ...</a>
<a href="#">☞ 0831 ... T10CP</a>	<a href="#">☞ 1200 ... 0...</a>	<a href="#">☞ 1205 ... 0...</a>
<a href="#">☞ 1205 ... 3...</a>	<a href="#">☞ 1210 1200 ... 0...</a>	<a href="#">☞ 1220 ... T16CW ...</a>
<a href="#">☞ 1221 ... T9CP</a>	<a href="#">☞ 5500 04DL1 3...</a>	<a href="#">☞ 5500 04L1 3...</a>
<a href="#">☞ 5500 08DL1 3...</a>	<a href="#">☞ 5500 08L1 3...</a>	<a href="#">☞ 5512 04DL1</a>
<a href="#">☞ 5512 04L1</a>	<a href="#">☞ 5512 08L1</a>	<a href="#">☞ 6157 8055 S06 16W</a>
<a href="#">☞ 6157 8055 S09 24W</a>		

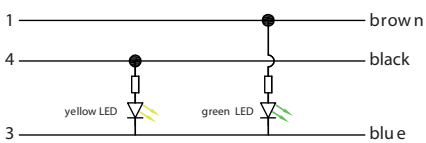
Accessories  
[☞ 9908 CPF0](#)      [☞ 9912 CPM0](#)

**M12 1210 0806 ... L1 3...**

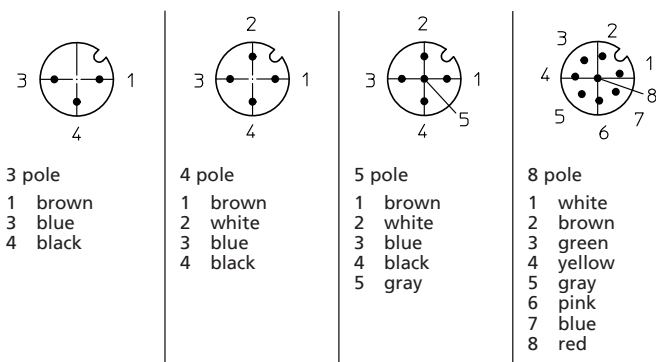
**Pin assignment for female M8 connectors, A-coded, front view**



**Connection diagram (PNP, normally open)**



**Pin assignment for male M12 connectors, A-coded, front view**



- \*a O-ring gasket
- \*c operation indicator green
- \*d function indicator yellow

M12

1210 0806 ... L1 3...

Designation	Pole Number	Connected Cable	PU (Pieces)	MDQ (Pieces)
1210 0806 03 L1 300 0,3m	3	PUR, black, 3 x 0.34 mm <sup>2</sup> (AWG 22), 910300, UL-style 20549	5	10
1210 0806 03 L1 300 1m	3	PUR, black, 3 x 0.34 mm <sup>2</sup> (AWG 22), 910300, UL-style 20549	5	10
1210 0806 03 L1 300 2m	3	PUR, black, 3 x 0.34 mm <sup>2</sup> (AWG 22), 910300, UL-style 20549	5	10
1210 0806 03 L1 300 5m	3	PUR, black, 3 x 0.34 mm <sup>2</sup> (AWG 22), 910300, UL-style 20549	1	10

**Packaging:**  
in a plastic bag