

M12

1205 ...S9 7...

## Cordsets M12



Actuator/sensor cordset, shielded, with overmolded connector

**Cable end 1:**

M12 female, angled, A-coded, IP67, shielding connected via knurled nut

**Cable end 2:**

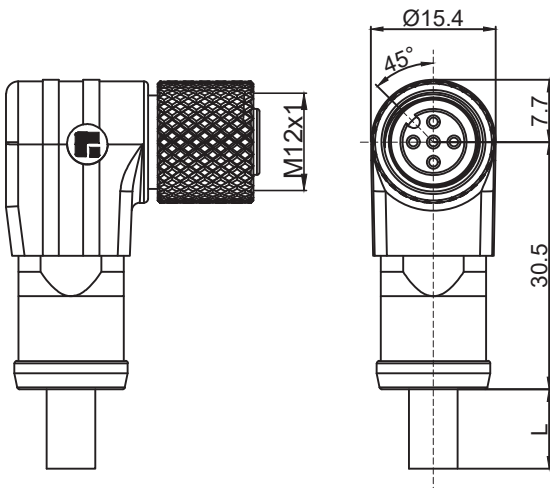
blunt cut

**Cable:**

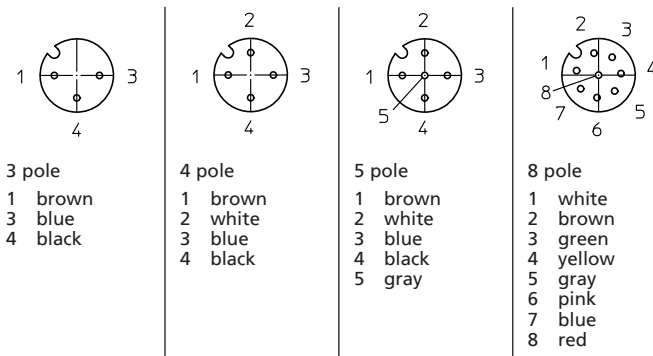
PUR, shielded, black

M12

1205 ...S9 7...



**Pin assignments for female M12 connectors, A-coded, front view**



**Environmental conditions**

Temperature range -25 °C/+80 °C

**Materials**

Insulating body	TPU GF, HB according to UL94
Contact bush	CuZn, pre-nickel and gold-plated
Overmolding/handle	PUR
Knurled nut	CuZn, nickel-plated
Seal	FKM

**Mechanical data**

Mating cycles	≥ 100
Insertion force	≤ 23 N (2–5 poles) ≤ 30 N (6–12 poles) <sup>1</sup>
Withdrawal force	≤ 23 N (2–5 poles) ≤ 30 N (6–12 poles) <sup>1</sup>
Protection class	IP67 <sup>2</sup>

<sup>1</sup> measured with a proper counterpart

<sup>2</sup> according to IEC DIN EN 60529, only in locked condition with an appropriate counterpart

**Connected cable**

Outer jacket PUR, black

**Electrical data (at T<sub>amb</sub> 20 °C)**

Contact resistance	≤ 5 mΩ
Rated current	4 A (2–5 poles) 2 A (6–8 poles) 1.5 A (9–12 poles) (T <sub>amb</sub> 40 °C)
Rated voltage	250 V (2–4 poles) 63 V (5 poles) 32 V (6–12 poles) (with pollution degree 3)
Rated impulse voltage	2500 V (2–4 poles) 1500 V (5 poles) 800 V (8–12 poles)
Material group	I (IEC)/0 (UL) (CTI = 600)
Overvoltage category	III
Insulation resistance	> 100 MΩ

M12

1205 ...S9 7...

---

**Associated products**

Counterparts

[🔗 1230 ... T16CW ...](#)

[🔗 1231 ... T9CP](#)

[🔗 1239 ... T0CB](#)

Accessories

[🔗 9912 CPF0](#)

---

M12

1205 ...S9 7...

Designation	Pole Number	Connected Cable	PU (Pieces)	MDQ (Pieces)	Dimensions L (mm)
1205 04S9 704 2m	4	PUR, black, 4 x 0.34 mm <sup>2</sup> (AWG 22), shielded 910704, UL-style 20549	5	10	2000
1205 04S9 704 5m	4	PUR, black, 4 x 0.34 mm <sup>2</sup> (AWG 22), shielded 910704, UL-style 20549	1	10	5000
1205 04S9 704 10m	4	PUR, black, 4 x 0.34 mm <sup>2</sup> (AWG 22), shielded 910704, UL-style 20549	1	10	10000
1205 05S9 705 2m	5	PUR, black, 5 x 0.34 mm <sup>2</sup> (AWG 22), shielded 910705, UL-style 20549	5	10	2000
1205 05S9 705 5m	5	PUR, black, 5 x 0.34 mm <sup>2</sup> (AWG 22), shielded 910705, UL-style 20549	1	10	5000
1205 05S9 705 10m	5	PUR, black, 5 x 0.34 mm <sup>2</sup> (AWG 22), shielded 910705, UL-style 20549	1	10	10000
1205 08S9 708 2m	8	PUR, black, 8 x 0.25 mm <sup>2</sup> (AWG 22), shielded 910708, UL-style 20549	5	10	2000
1205 08S9 708 5m	8	PUR, black, 8 x 0.25 mm <sup>2</sup> (AWG 22), shielded 910708, UL-style 20549	1	10	5000
1205 08S9 708 10m	8	PUR, black, 8 x 0.25 mm <sup>2</sup> (AWG 22), shielded 910708, UL-style 20549	1	10	10000

**Packaging:**  
in a plastic bag