

M12

1205 ...S9 6...

Cordsets M12



Actuator/sensor cordset, shielded, with overmolded connector

Cable end 1:

M12 female, angled, A-coded, IP67, shielding connected via knurled nut

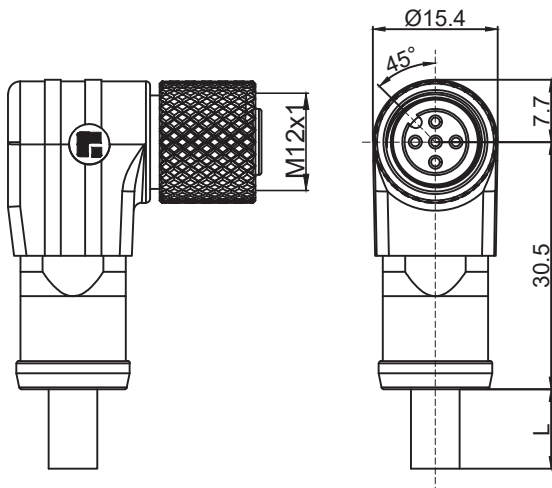
Cable end 2:

blunt cut

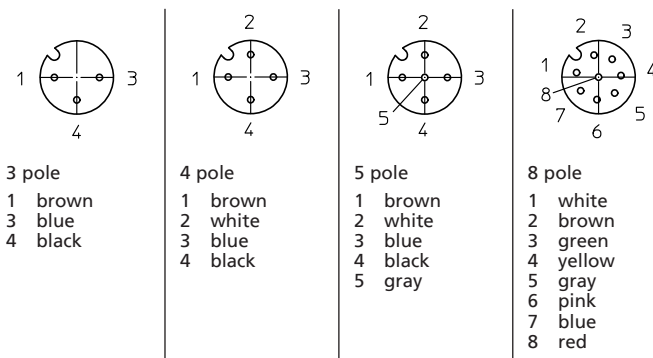
Cable:

PVC, shielded, black

M12 1205 ...S9 6...



Pin assignments for female M12 connectors, A-coded, front view



Environmental conditions

Temperature range -25 °C/+80 °C

Materials

Insulating body	TPU GF, HB according to UL94
Contact bush	CuZn, pre-nickel and gold-plated
Overmolding/handle	PVC
Knurled nut	CuZn, nickel-plated
Seal	FKM

Mechanical data

Mating cycles	≥ 100
Insertion force	≤ 23 N (2–5 poles) ≤ 30 N (6–12 poles) ¹
Withdrawal force	≤ 23 N (2–5 poles) ≤ 30 N (6–12 poles) ¹
Protection class	IP67 ²

¹ measured with a proper counterpart

² according to IEC DIN EN 60529, only in locked condition with an appropriate counterpart

Connected cable

Outer jacket PVC, black

Electrical data (at T_{amb} 20 °C)

Contact resistance	≤ 5 mΩ
Rated current	4 A (2–5 poles) 2 A (6–8 poles) 1.5 A (9–12 poles) (T _{amb} 40 °C)
Rated voltage	250 V (2–4 poles) 63 V (5 poles) 32 V (6–12 poles) (with pollution degree 3)
Rated impulse voltage	2500 V (2–4 poles) 1500 V (5 poles) 800 V (8–12 poles)
Material group	I (IEC)/0 (UL) (CTI = 600)
Overvoltage category	III
Insulation resistance	> 100 MΩ

M12

1205 ...S9 6...

Associated products

Counterparts

[🔗 1230 ... T16CW ...](#)

[🔗 1231 ... T9CP](#)

[🔗 1239 ... T0CB](#)

Accessories

[🔗 9912 CPF0](#)

M12

1205 ...S9 6...

Designation	Pole Number	Connected Cable	PU (Pieces)	MDQ (Pieces)	Dimensions L (mm)
1205 04S9 604 2m	4	PVC, black, 4 x 0.34 mm ² (AWG 22), shielded 910604, UL-style 2464	5	10	2000
1205 04S9 604 5m	4	PVC, black, 4 x 0.34 mm ² (AWG 22), shielded 910604, UL-style 2464	1	10	5000
1205 04S9 604 10m	4	PVC, black, 4 x 0.34 mm ² (AWG 22), shielded 910604, UL-style 2464	1	10	10000
1205 05S9 605 2m	5	PVC, black, 5 x 0.34 mm ² (AWG 22), shielded 910605, UL-style 2464	5	10	2000
1205 05S9 605 5m	5	PVC, black, 5 x 0.34 mm ² (AWG 22), shielded 910605, UL-style 2464	1	10	5000
1205 05S9 605 10m	5	PVC, black, 5 x 0.34 mm ² (AWG 22), shielded 910605, UL-style 2464	1	10	10000
1205 08S9 608 2m	8	PVC, black, 8 x 0.25 mm ² (AWG 22), shielded 910608, UL-style 2464	5	10	2000
1205 08S9 608 5m	8	PVC, black, 8 x 0.25 mm ² (AWG 22), shielded 910608, UL-style 2464	1	10	5000
1205 08S9 608 10m	8	PVC, black, 8 x 0.25 mm ² (AWG 22), shielded 910608, UL-style 2464	1	10	10000

Packaging:
in a plastic bag