

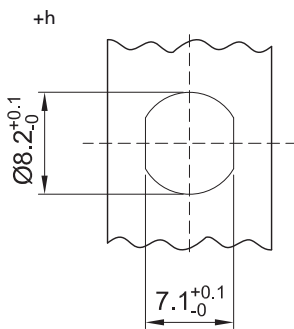
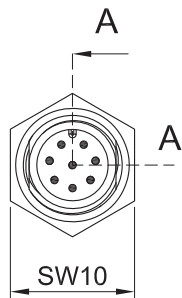
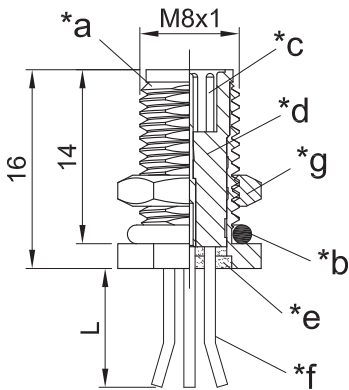
M8 0831 ... T8CW ...

Panel Mount Connectors M8



M8 panel mount connector, male, A-coded, IP67, for rear side mounting, thread M8, with nut and stranded wires

M8 0831 ... T8CW ...



Environmental conditions

Temperature range -25 °C/+80 °C

Materials

Insulating body	PA
Contact pin	CuZn, pre-nickel and gold-plated
Housing	CuZn, nickel-plated
Hexagonal nut	CuZn, nickel-plated
Seal	FKM

Mechanical data

Mating cycles	≥ 100
Insertion force	≤ 23 N ¹
Withdrawal force	≤ 23 N ¹
Protection class	IP67 ²

¹ measured with a proper counterpart

² according to IEC DIN EN 60529, only in locked condition with an appropriate counterpart

Electrical data (at T_{amb} 20 °C)

Contact resistance	≤ 10 mΩ
Rated current	1.5 A (T _{amb} 40 °C)
Rated voltage	30 V (with pollution degree 3)
Rated impulse voltage	800 V
Material group	I (IEC)/0 (UL) (CTI = 600)
Insulation resistance	> 100 MΩ

Associated products

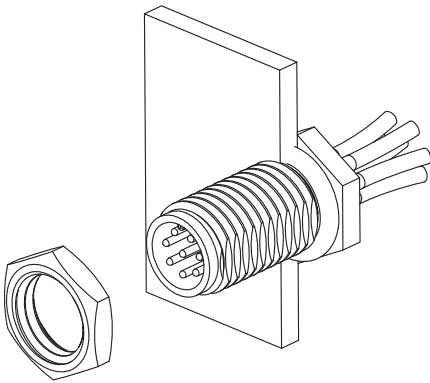
Counterparts			
☞ 0800 ... 0...	☞ 0800 ... 3...	☞ 0800F1 ... 0...	
☞ 0800F1 ... 3...	☞ 0805 ... 0...	☞ 0805 ... 3...	
☞ 0805F1 ... 0...	☞ 0806 ... L1 0...	☞ 0806 ... L1 3...	
☞ 0810 0806 ... L1 3...	☞ 1210 0800 ... 3...	☞ 1210 0806 ... L1 3...	

Accessories

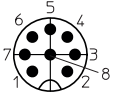
☞ 9908 CPM0

M8

0831 ... T8CW ...



Pin assignment for male M8 connectors, A-coded, front view



8 pole

- 1 white
- 2 brown
- 3 green
- 4 yellow
- 5 gray
- 6 pink
- 7 blue
- 8 red

- *a housing
- *b O-ring gasket
- *c contact pin
- *d insulating body
- *e potting
- *f standed wire
- *g nut
- *h port in mounting plate

M8

0831 ... T8CW ...

Designation	Pole Number	Connected Cable	PU (Pieces)	MDQ (Pieces)	Dimensions L (mm)
0831 08 T8CW 0,5m	8	PVC, white/brown/green/ yellow/gray/pink/blue/red, 8 x 0.14 mm ² (AWG 26), UL- style 1007	10	10	500

Packaging:
in a plastic bag