


M8

0831 ... T10CP

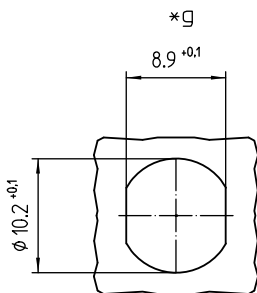
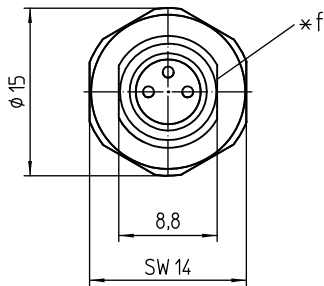
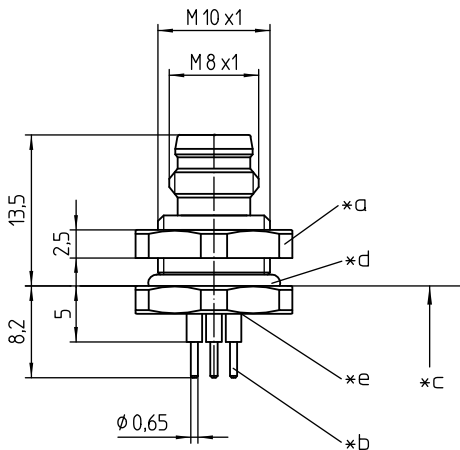
Panel Mount Connectors M8



M8 panel mount connector, male, A-coded, IP67, for rear side mounting, thread M10, with nut, for printed circuit boards

Approvals: 

M8 0831 ... T10CP



Environmental conditions

Temperature range -25 °C/+80 °C

Materials

Insulating body	PA
Contact pin	CuZn, pre-nickel and gold-plated
Housing	CuZn, nickel-plated
Hexagonal nut	CuZn, nickel-plated
Seal	FKM

Mechanical data

Mating cycles	≥ 100
Insertion force	$\leq 23 \text{ N}^1$
Withdrawal force	$\leq 23 \text{ N}^1$
Protection class	IP67 ²


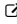


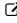


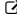
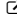



¹ measured with a proper counterpart


² according to IEC DIN EN 60529, only in locked condition with an appropriate counterpart

Electrical data (at T_{amb} 20 °C)

Contact resistance	$\leq 10 \text{ m}\Omega$
Rated current	4 A (T _{amb} 40 °C)
Rated voltage	48 V AC/60 V DC (with pollution degree 3)
Rated impulse voltage	1,5 kV
Material group	I (IEC)/0 (UL) (CTI = 600)
Insulation resistance	> 100 M Ω

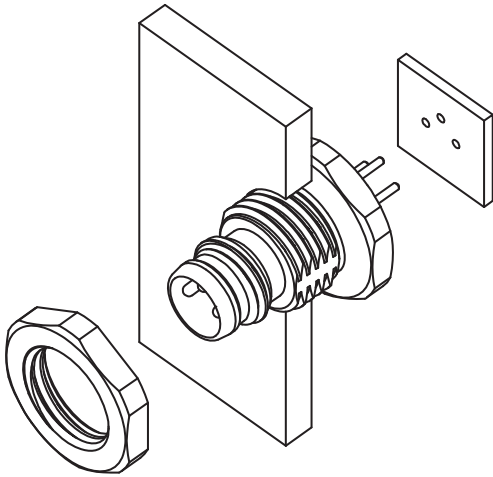
Associated products

Counterparts		
 0800 ... 0...	 0800 ... 3...	 0800F1 ... 0...
 0800F1 ... 3...	 0805 ... 0...	 0805 ... 3...
 0805F1 ... 0...	 0806 ... L1 0...	 0806 ... L1 3...
 0810 0806 ... L1 3...	 1210 0800 ... 3...	 1210 0806 ... L1 3...

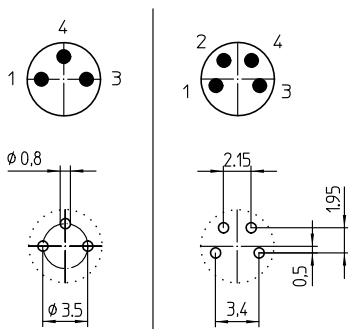
Accessories
 9908 CPM0

M8

0831 ... T10CP



Pin assignment and printed circuit board layouts for male M8 connectors, A-coded, front view, components side view of printed circuit board



- *a nut
- *b solder pin for bore hole in printed circuit board $\varnothing 0.8$ mm
- *c mounting direction
- *d O-ring gasket
- *e contact area potted
- *f anti-rotation
- *g port in mounting plate

M8

0831 ... T10CP

Designation	Pole Number	PU (Pieces)	MDQ (Pieces)
0831 03 T10CP	3	10	10
0831 04 T10CP	4	10	10

Packaging:
in a plastic bag