

M8

0822 ... T8CP

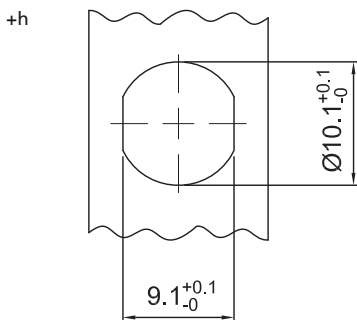
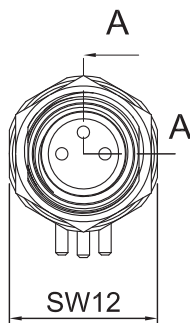
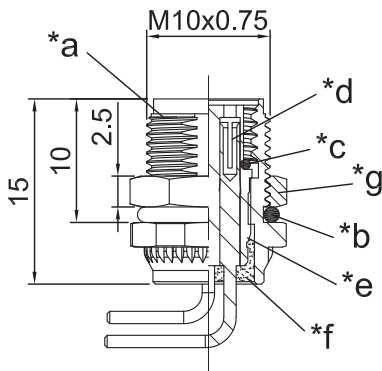
## Panel Mount Connectors M8



M8 panel mount connector, angled version, female, A-coded, IP67, for rear side mounting, thread M8, with nut, for printed circuit boards

M8

0822 ... T8CP



#### Environmental conditions

Temperature range -25 °C/+80 °C

#### Materials

Insulating body	PA
Contact bush	CuZn, pre-nickel and gold-plated
Hexagonal nut	CuZn, nickel-plated
Seal	FKM

#### Mechanical data

Mating cycles	$\geq 100$
Insertion force	$\leq 23 \text{ N}^1$
Withdrawal force	$\leq 23 \text{ N}^1$
Protection class	IP67 <sup>2</sup>

<sup>1</sup> measured with a proper counterpart

<sup>2</sup> according to IEC DIN EN 60529, only in locked condition with an appropriate counterpart

#### Electrical data (at T<sub>amb</sub> 20 °C)

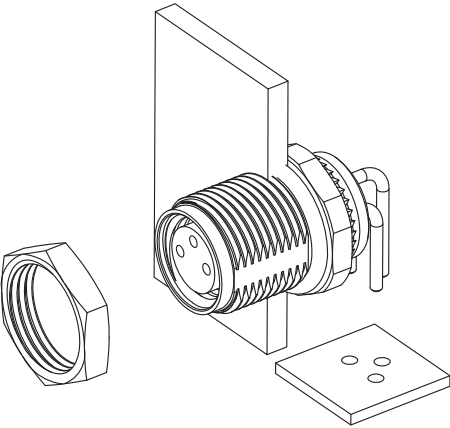
Contact resistance	$\leq 10 \text{ m}\Omega$
Rated current	4 A (T <sub>amb</sub> 40 °C)
Rated voltage	50 V AC/60 V DC (with pollution degree 3)
Rated impulse voltage	1,5 kV
Material group	I (IEC)/0 (UL) (CTI = 600)
Insulation resistance	> 100 M $\Omega$

#### Associated products

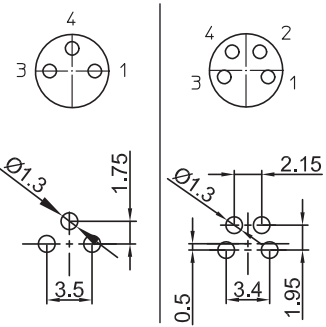
Counterparts		
☞ 0810 ... 0...	☞ 0810 ... 3...	☞ 0810 0800 ... 0...
☞ 0810 0800 ... 3...	☞ 0810 0805 ... 3...	☞ 0810 0806 ... L1 3...
☞ 0815 ... 0...	☞ 0815 ... 3...	

Accessories  
☞ 9908 CPF0

**M8**    **0822 ... T8CP**



Pin assignment and printed circuit board layouts for female M12 connectors, A-coded, components side view



- \*a housing
- \*b O-ring gasket
- \*c O-ring gasket
- \*d contact bush
- \*e insulating body
- \*f potting
- \*g nut
- \*h port in mounting plate

M8

0822 ... T8CP

Designation	Pole Number	PU (Pieces)	MDQ (Pieces)
0822 03 T8CP	3	10	10
0822 04 T8CP	4	10	10

**Packaging:**  
in a plastic bag