

M8


0820 ... T8CW ...

## Panel Mount Connectors M8



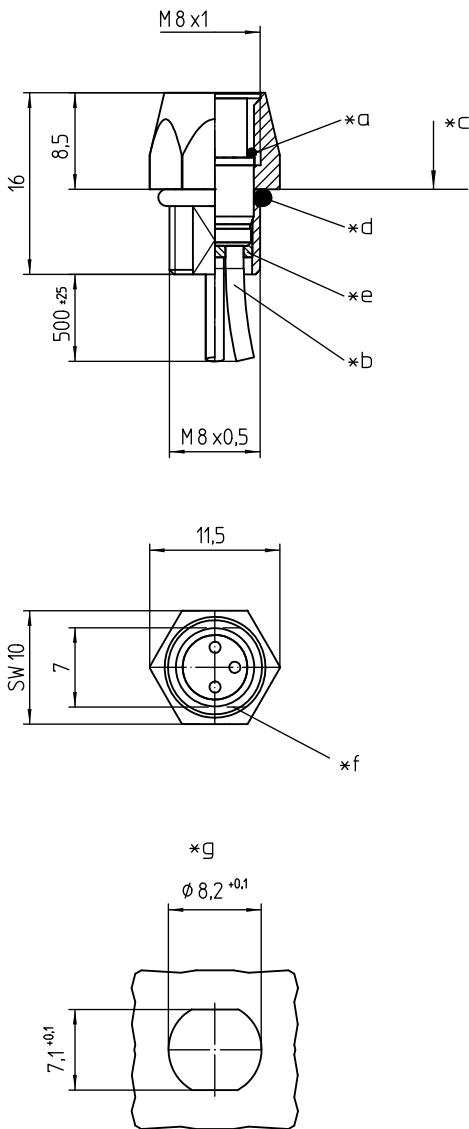
M8 panel mount connector, female, A-coded, IP67, for front mounting, thread M8, with nut and stranded wires

---

Approvals: 

---

**M8** 0820 ... T8CW ...



**Environmental conditions**

Temperature range -25 °C/+80 °C

**Materials**

Insulating body	PA
Contact bush	CuZn, pre-nickel and gold-plated
Hexagonal nut	CuZn, nickel-plated
Seal	FKM

**Mechanical data**

Mating cycles	≥ 100
Insertion force	≤ 23 N <sup>1</sup>
Withdrawal force	≤ 23 N <sup>1</sup>
Protection class	IP67 <sup>2</sup>

<sup>1</sup> measured with a proper counterpart

<sup>2</sup> according to IEC DIN EN 60529, only in locked condition with an appropriate counterpart

**Electrical data (at T<sub>amb</sub> 20 °C)**

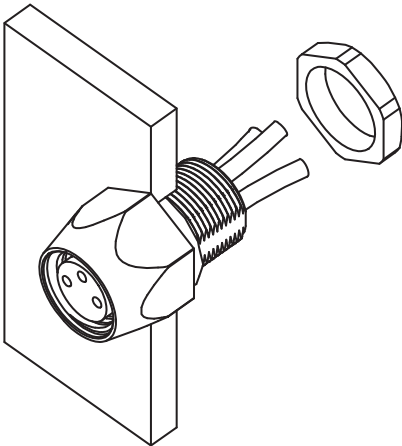
Contact resistance	≤ 10 mΩ
Rated current	4 A (T <sub>amb</sub> 40 °C)
Rated voltage	50 V AC/60 V DC (with pollution degree 3)
Rated impulse voltage	1,5 kV
Material group	I (IEC)/0 (UL) (CTI = 600)
Insulation resistance	> 100 MΩ

**Associated products**

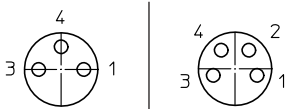
Counterparts			
☞ 0810 ... 0...	☞ 0810 ... 3...	☞ 0810 0800 ... 0...	
☞ 0810 0800 ... 3...	☞ 0810 0805 ... 3...	☞ 0810 0806 ... L1 3...	

M8

0820 ... T8CW ...



Pin assignment for female M8 connectors, A-coded, front view



3 pole

1 brown  
3 blue  
4 black

4 pole

1 brown  
2 white  
3 blue  
4 black

- \*a O-ring gasket
- \*b stranded wire
- \*c mounting direction
- \*d O-ring gasket
- \*e contact area potted
- \*f anti-rotation
- \*g port in mounting plate

M8

0820 ... T8CW ...

Designation	Pole Number	Connected Cable	PU (Pieces)	MDQ (Pieces)	Dimensions L (mm)
0820 03 T8CW 0,5m	3	PVC, brown/blue/black, 3 x 0.34 mm <sup>2</sup> (AWG 22), UL- style 1007, 0.5 m	10	10	500
0820 04 T8CW 0,5m	4	PVC, brown/white/blue/ black, 4 x 0.34 mm <sup>2</sup> (AWG 22), UL-style 1007, 0.5 m	10	10	500

**Packaging:**  
in a plastic bag