

M8

0810 0806 ... L1 3...

Cordsets M8



Actuator/sensor cordset with overmolded connectors

Cable end 1:

M8 male, straight, A-coded, IP67

Cable end 2:

M8 female, angled, with LED L1, A-coded, IP67

Cable:

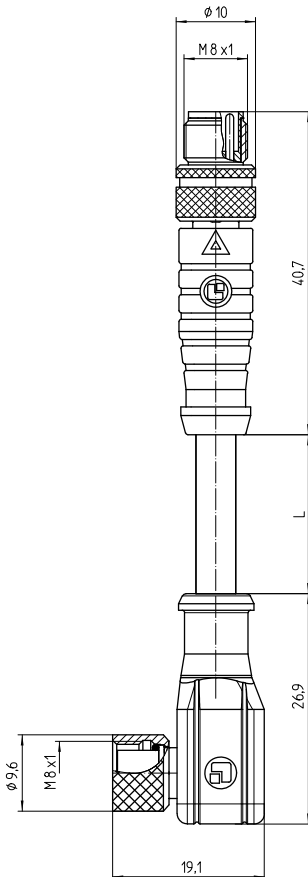
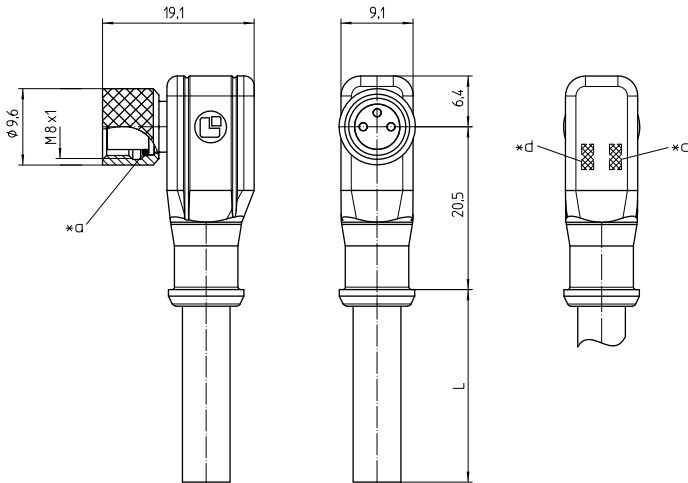
PUR, black

Approvals:



M8

0810 0806 ... L1 3...



Environmental conditions

Temperature range -25 °C/+80 °C

Materials

Insulating body	TPU GF, HB according to UL94
Contact bush	CuZn, pre-nickel and gold-plated
Contact pin	CuZn, pre-nickel and gold-plated
Overmolding/handle	TPU ¹
Knurled screw	CuZn, nickel-plated
Knurled nut	CuZn, nickel-plated
Seal	FKM

¹ material halogen-free

Mechanical data

Mating cycles	≥ 100
Insertion force	≤ 23 N ¹
Withdrawal force	≤ 23 N ¹
Protection class	IP67 ²

¹ measured with a proper counterpart

² according to IEC DIN EN 60529, only in locked condition with an appropriate counterpart

Connected cable

Outer jacket PUR, black

Electrical data (at T_{amb} 20 °C)

Contact resistance	≤ 10 mΩ
Rated current	4 A (T _{amb} 40 °C)
Rated voltage	10–30 V DC (with pollution degree 3)
Rated impulse voltage	1,5 kV
Material group	I (IEC)/0 (UL) (CTI = 600)
Insulation resistance	> 100 MΩ

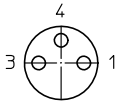
Associated products

Counterparts

☞ 0800 ... 0...	☞ 0800 ... 3...	☞ 0800F1 ... 0...
☞ 0800F1 ... 3...	☞ 0805 ... 0...	☞ 0805 ... 3...
☞ 0805F1 ... 0...	☞ 0820 ... T8CW ...	☞ 0821 ... T10CP
☞ 0822 ...S9 T8CP	☞ 0830 ... T8CW ...	☞ 0831 ... T10CP
☞ 0831 ... T8CW ...	☞ 0832 ...S9 T8CP	☞ 1210 0800 ... 3...
☞ 5000 04L1 3...	☞ 5000 08L1 3...	☞ 5000 10L1 3...

M8 0810 0806 ... L1 3...

Pin assignment for female M8 connectors, A-coded, front view

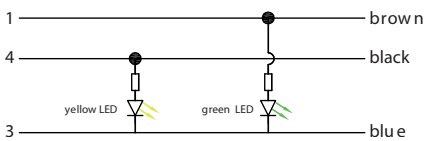


- 3 pole
- 1 brown
- 3 blue
- 4 black

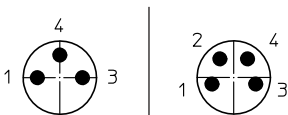
- [5000 12L1 3...](#)
- [5012 04L1](#)
- [5012 08L1](#)
- [5012 10L1](#)
- [6157 8055 S06 16W](#)
- [6157 8055 S09 24W](#)

- Accessories
- [9908 CPF0](#)
 - [9908 CPM0](#)

Connection diagram (PNP, normally open)



Pin assignment for male M8 connectors, A-coded, front view



- | | |
|--|---|
| <ul style="list-style-type: none"> 3 pole 1 brown 3 blue 4 black | <ul style="list-style-type: none"> 4 pole 1 brown 2 white 3 blue 4 black |
|--|---|

- *a O-ring gasket
- *c function indicator yellow
- *d operation indicator green

M8

0810 0806 ... L1 3...

Designation	Pole Number	Connected Cable	PU (Pieces)	MDQ (Pieces)	Dimensions L (mm)
0810 0806 03 L1 300 0,3m	3	PUR, black, 3 x 0.34 mm ² (AWG 22), 910300, UL-style 20549	5	10	300
0810 0806 03 L1 300 1m	3	PUR, black, 3 x 0.34 mm ² (AWG 22), 910300, UL-style 20549	5	10	1000
0810 0806 03 L1 300 2m	3	PUR, black, 3 x 0.34 mm ² (AWG 22), 910300, UL-style 20549	5	10	2000
0810 0806 03 L1 300 5m	3	PUR, black, 3 x 0.34 mm ² (AWG 22), 910300, UL-style 20549	1	10	5000

Packaging:
in a plastic bag