

71


7160

Feeding Systems for Bulk Components



Bulk hopper conveyer

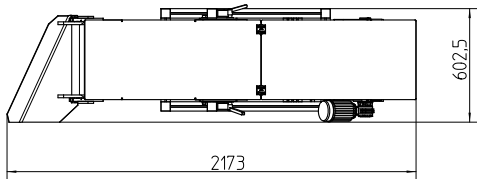
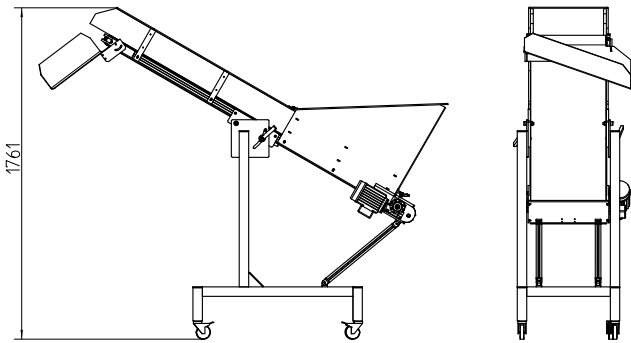
---

Approvals: 

---

71

7160



**Features**

- Application**
- Feeding of bulk goods
  - To stockpile and pour bulk components
  - To increase your facility's autonomy, e.g. for unmanned three-shift operation
- Options**
- Adjustable to the individual size of the feeding elements and required output
  - Easy integration of reels, adjustment of height, build-up analysis or filling level control according to requirements

**Dimensions and supply data**

- Dimensions (H x W x D)** ca. 1761 mm x 2173 mm x 603 mm
- Weight** ca. 150 kg
- Electrical supply** 230 V AC